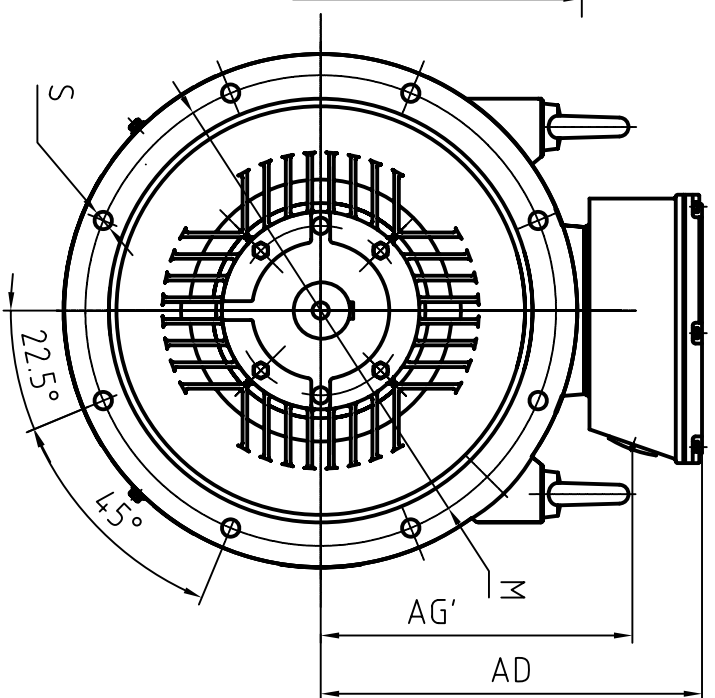
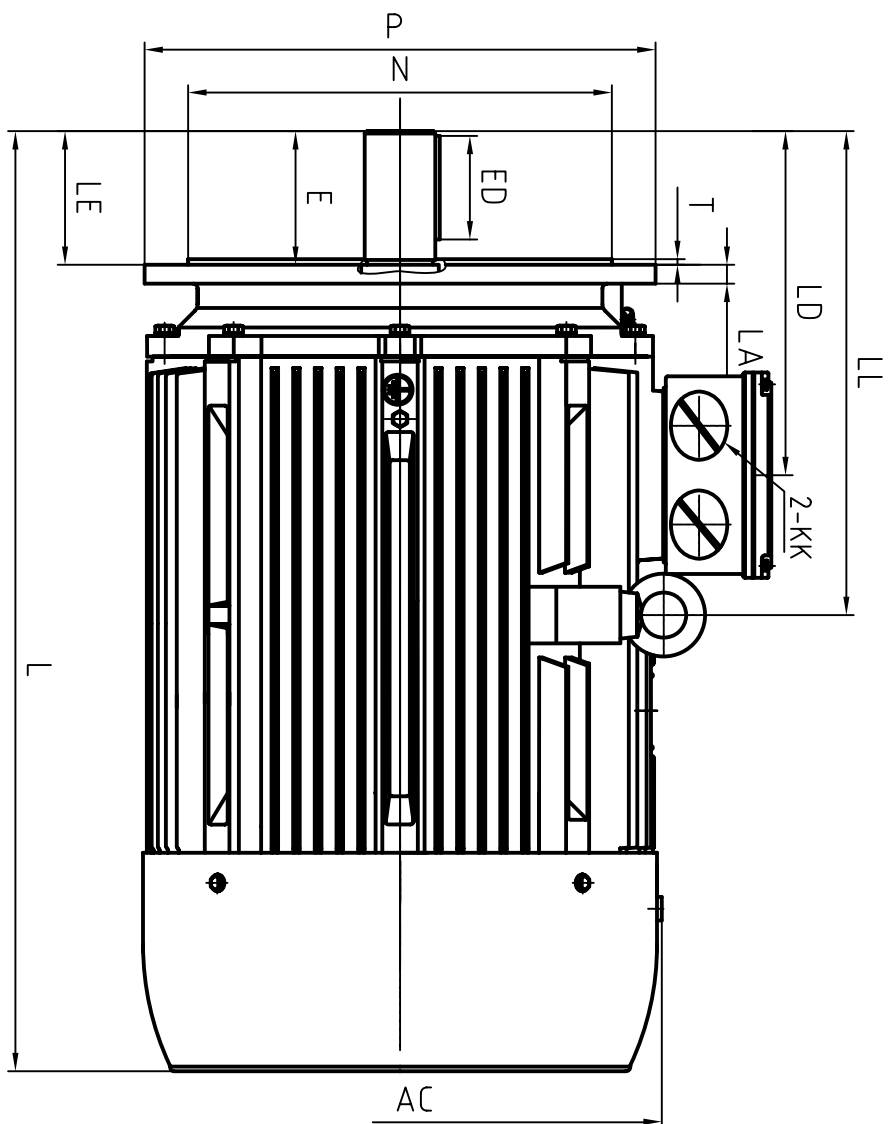


CLIENT:			
FRAME		KW	
VOLTS		RPM	



OUTLINE DIMENSIONS FOOT MOUNTED MOTORS

AC	AD	AG'	KK	L	LA	LD	LE	LL	M	N	P	S	T
∅570	405	322	M63 X 1.5	1020	22	365	140	514	∅500	∅450	∅550	8×∅18.5	5

SHAFT EXT. DE ONLY

D	DH	E	ED	F	G
$\phi 65^{+0.030}_{+0.011}$	M20×42	140	110	18	$58^{0}_{-0.2}$

WEIGHT

--

CUSTOMER APPROVAL _____ SIGNATURE _____ DATE _____

2L-280-2P(B5)

DIMENSION OUTLINE

DATE	20101027	CHK	CHK	OU	OU
DRAWN	ZHANG HONG	APPD	APPD	ZHANG WENBIN	ZHANG WENBIN
ISSUE A	DATE		CERTIFIED BY		
ISSUE B	DATE		CERTIFIED BY		
ISSUE C	DATE		CERTIFIED BY		
ISSUE D	DATE		CERTIFIED BY		