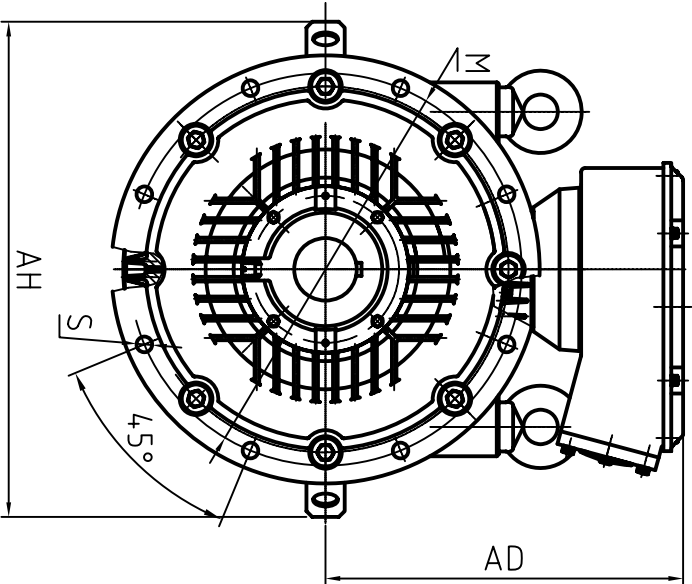
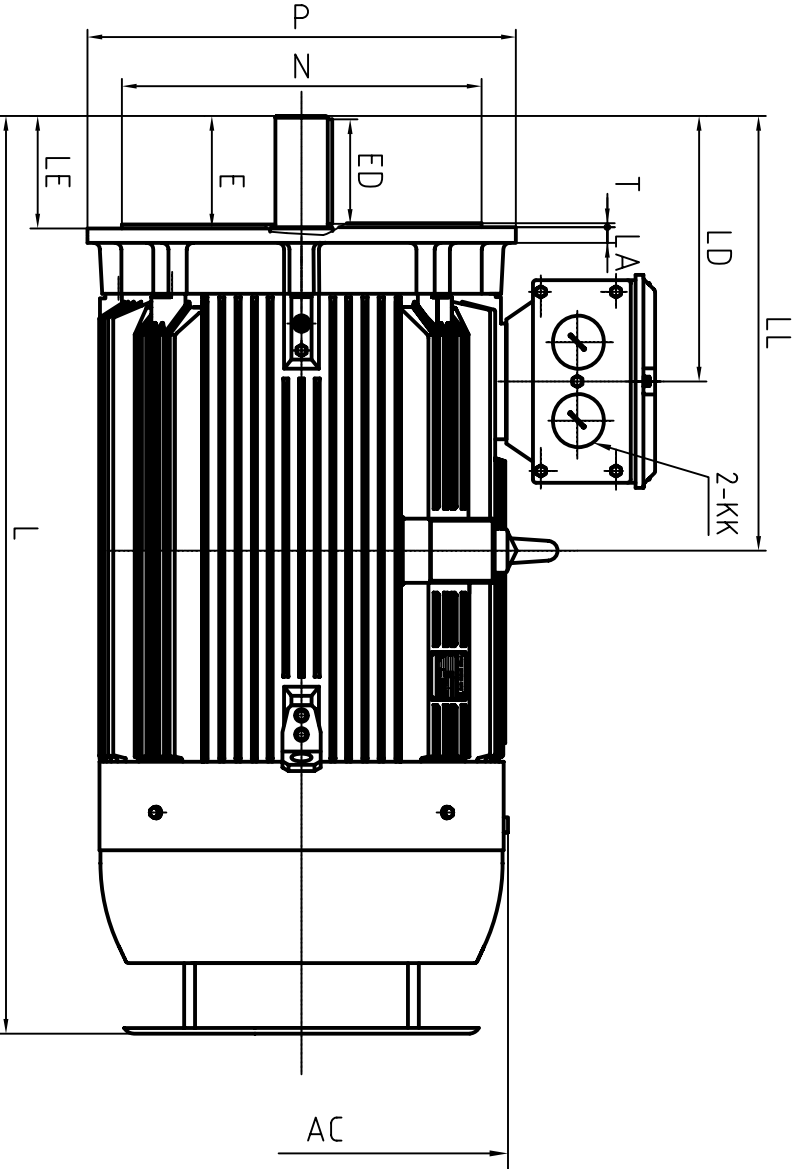


CLIENT:			
FRAME		KW	
VOLTS		RPM	



OUTLINE DIMENSIONS FLANGE MOUNTED MOTORS

SHAFT EXT. DE ONLY

WEIGHT

AC	
AD	555
AH	820
KK	M63X1.5
L	1322(315S)
LA	1432(315M.L)
LD	24
LE	406
M	170
N	∅600
P	∅550
S	∅660
T	8X∅24
	6
D	∅80
DH	M20X42
E	170
ED	140
F	22
G	71

CUSTOMER APPROVAL

SIGNATURE

DATE

ZL-315 4-10P (V1)

DIMENSION OUTLINE

DATE	20101027	CHK	QuHualong
DRAWN	SUNWUJUN	APPD	Zhang Wenbin
ISSUE A	DATE		CERTIFIED BY
ISSUE B	DATE		CERTIFIED BY
ISSUE C	DATE		CERTIFIED BY
ISSUE D	DATE		CERTIFIED BY