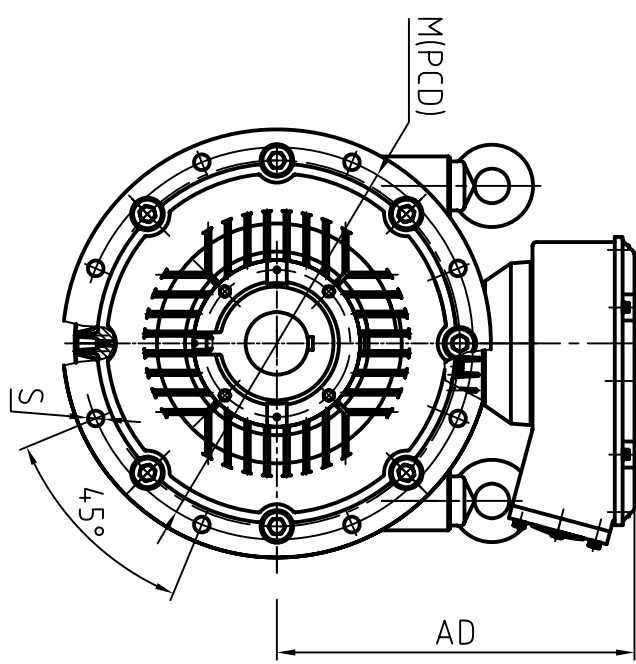
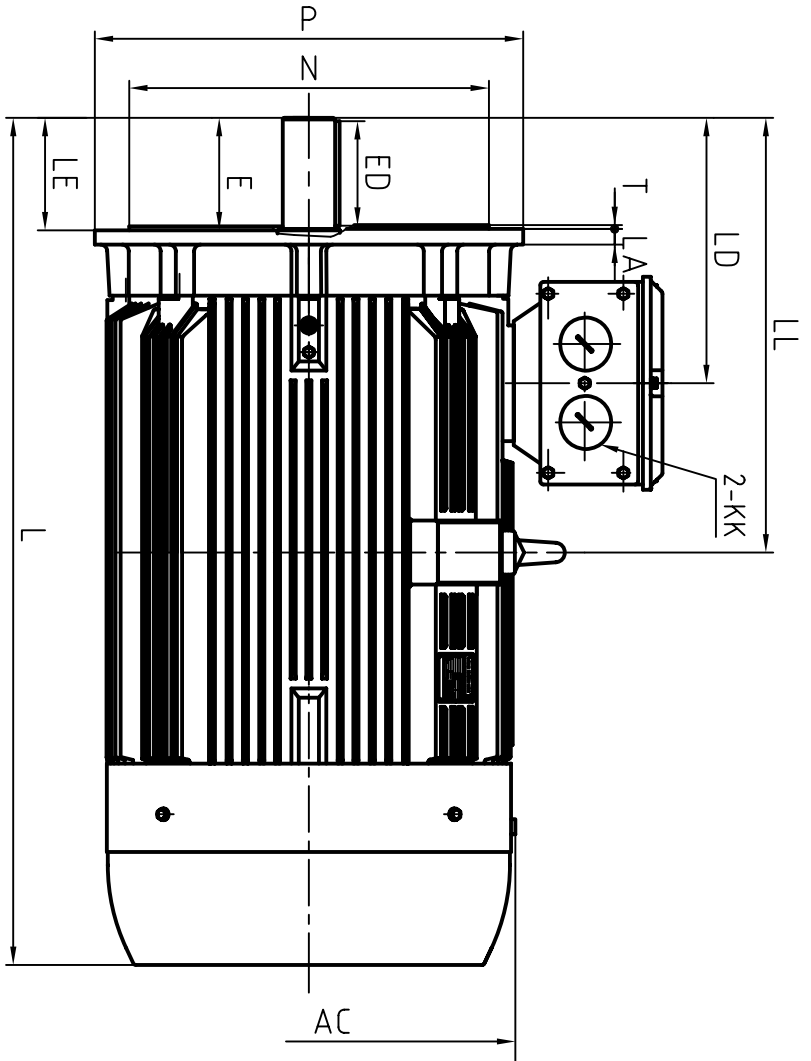


CLIENT:			
FRAME		KW	
VOLTS		RPM	



OUTLINE DIMENSIONS FLANGE MOUNTED MOTORS

SHAFT EXT. DE ONLY

WEIGHT

AC	AD	KK	L	LA	LD	LE	M	N	P	S	T	D	DH	E	ED	F	G	
φ650	555	M63×1.5	1222(315S) 1332(315M.L)	24	406	170	φ600	φ550	φ660	8×24	6	φ80 ^{+0.030} _{+0.011}	M20×42	170	140	22	71 ⁰ _{-0.2}	

CUSTOMER APPROVAL

SIGNATURE

DATE

ZL-315 4-8P (B5)
DIMENSION OUTLINE

DATE	20101027	CHK	CHK	OU HUONG
DRAWN	SUNHOUJUN	APPD	APPD	ZHANG WENBIN
ISSUE A	DATE		CERTIFIED BY	
ISSUE B	DATE		CERTIFIED BY	
ISSUE C	DATE		CERTIFIED BY	
ISSUE D	DATE		CERTIFIED BY	