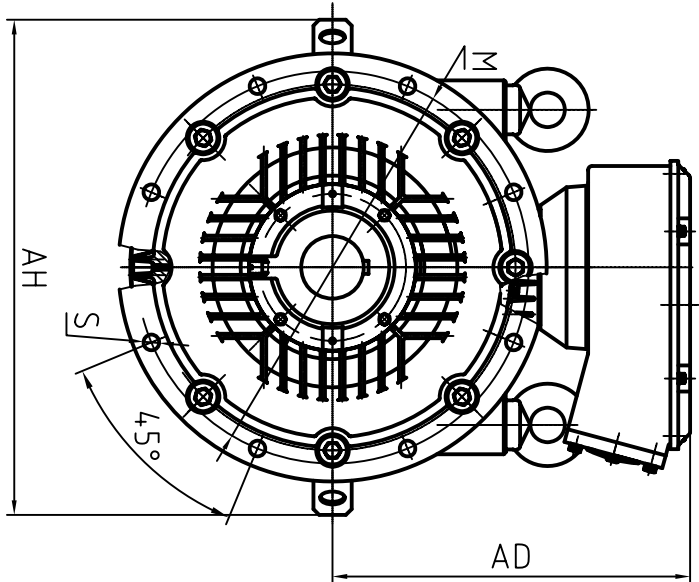
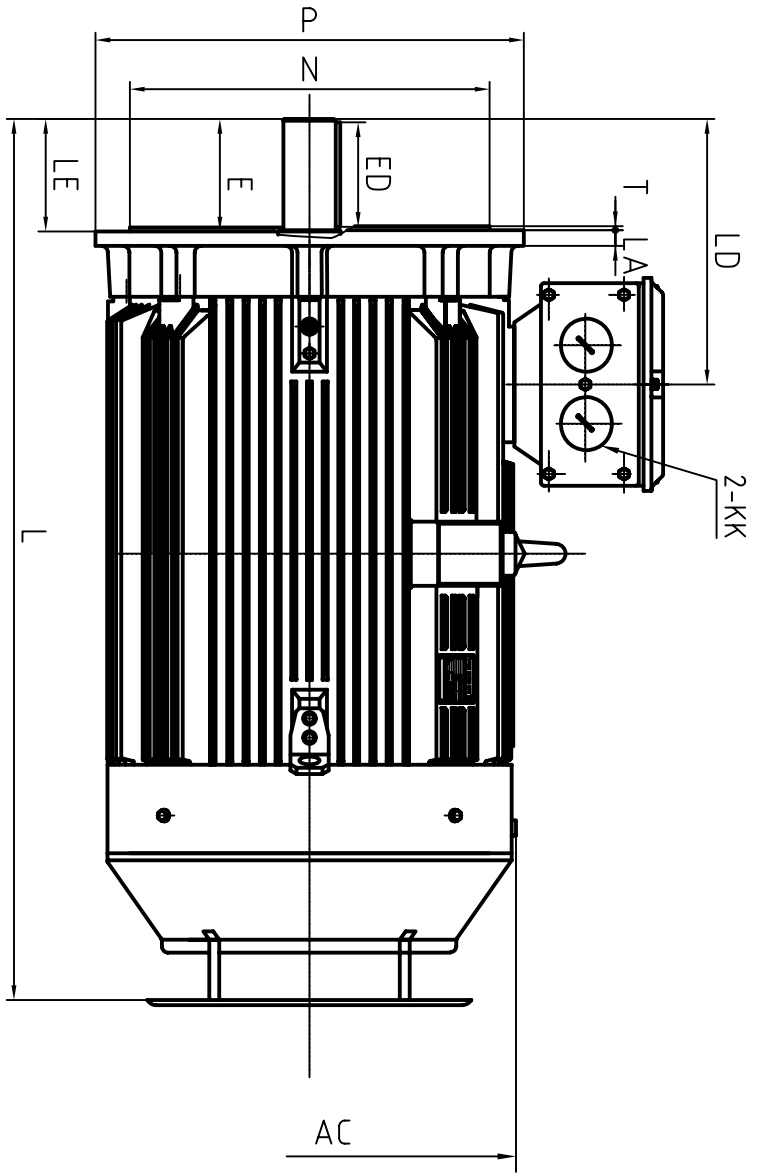


CLIENT:			
FRAME		KW	
VOLTS		RPM	



OUTLINE DIMENSIONS FLANGE MOUNTED MOTORS

AC	AD	AH	KK	L	LA	LD	LE	M	N	P	S	T	D	DH	E	ED	F	G
φ650	555	820	M63X1.5	1280(315S)	24	376	140	φ600	φ550	φ660	8Xφ24	6	φ65	M20X42	140	110	18	58
				1390(315M.L)														

SHAFT EXT. DE ONLY

WEIGHT

CUSTOMER APPROVAL

SIGNATURE

DATE

2L-315 2P (V1)
DIMENSION OUTLINE

DATE	20101027	CHK	CHK	Out Huang
DRAWN	SUNWUJUN	APPD	APPD	Zhang Wenbin
ISSUE A	DATE	CERTIFIED BY		
ISSUE B	DATE	CERTIFIED BY		
ISSUE C	DATE	CERTIFIED BY		
ISSUE D	DATE	CERTIFIED BY		