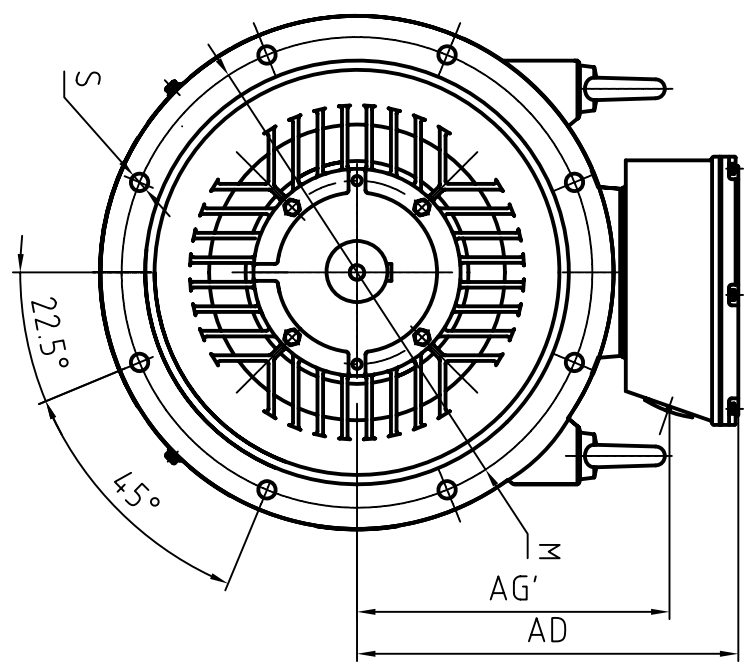
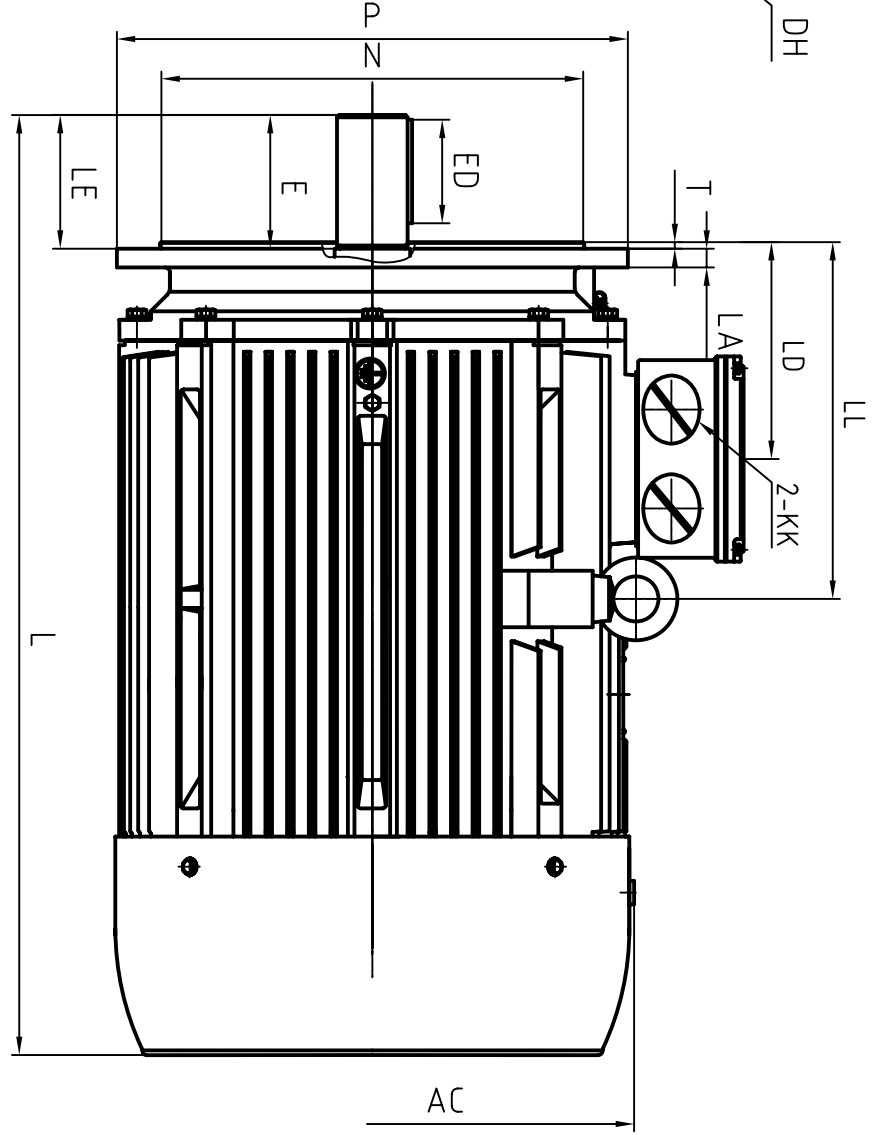


CLIENT:			
FRAME		KW	
VOLTS		RPM	



OUTLINE DIMENSIONS FOOT MOUNTED MOTORS

AC	AD	AG'	KK	L	LA	LD	LE	LL	M	N	P	S	T
φ570	405	322	M63 X 1.5	1010	22	365	140	514	φ500	φ450	φ550	8×φ18.5	5

SHAFT EXT. DE ONLY

D	DH	E	ED	F	G
φ75 ^{+0.030} _{+0.011}	M20×42	140	110	20	67.5 ⁰ _{-0.2}

WEIGHT

--	--

CUSTOMER APPROVAL

SIGNATURE

DATE

2L-280-4,6,8(B5)

DIMENSION OUTLINE

DATE	20101027	CHK	CHK	Ou Hudong
DRAWN	ZHANG HONG	APPD	APPD	Zhang Weibin
ISSUE A	DATE		CERTIFIED BY	
ISSUE B	DATE		CERTIFIED BY	
ISSUE C	DATE		CERTIFIED BY	
ISSUE D	DATE		CERTIFIED BY	