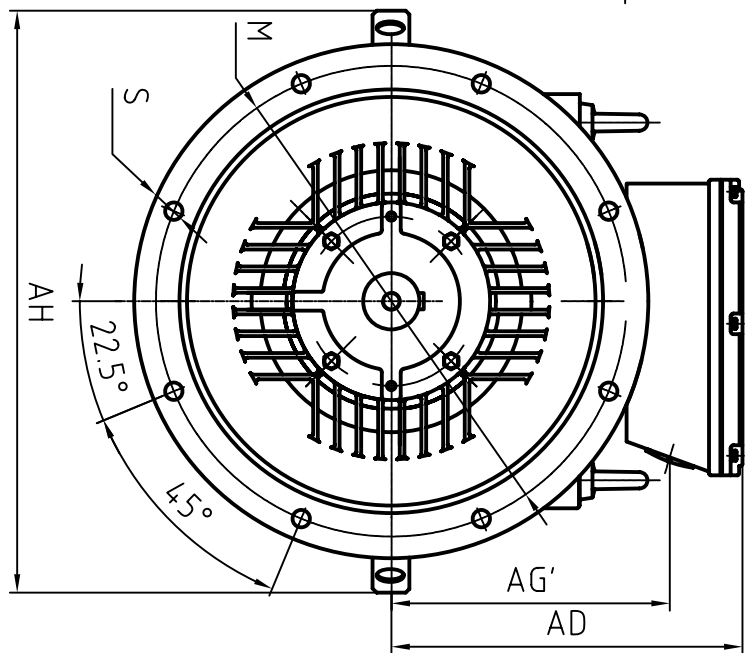
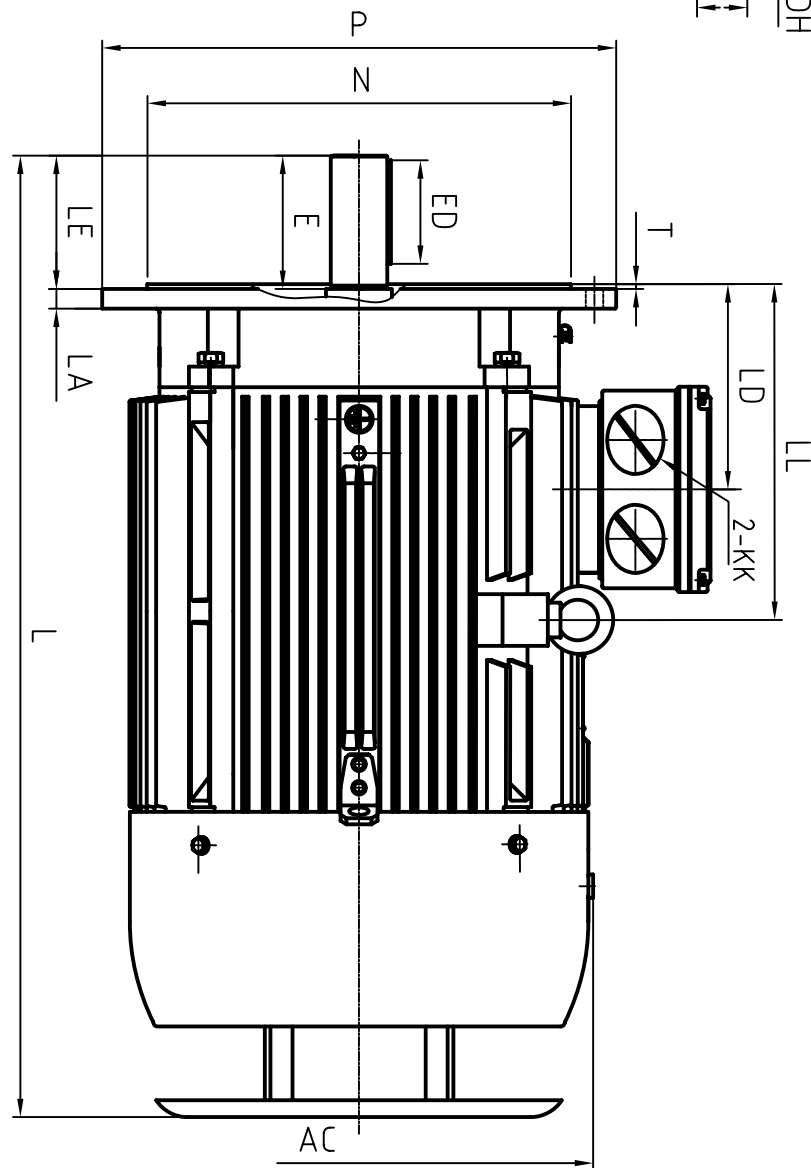
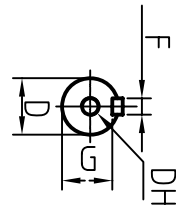


CLIENT:			
FRAME		KW	
VOLTS		RPM	



OUTLINE DIMENSIONS FOOT MOUNTED MOTORS

AC	AD	AG'	AH	KK	L	LA	LD	LE	LL	M	N	P	S	T
φ520	375	293	645	M63 X 1.5	1026	21	353	140	491.5	φ500	φ450	φ550	8×φ18.5	5

SHAFT EXT. DE ONLY

D	DH	E	ED	F	G
φ60 <sup>+0.030</sup> <sub>+0.011</sub>	M20×42	140	110	18	53 <sup>0</sup> <sub>-0.2</sub>

WEIGHT

--	--	--	--	--	--

CUSTOMER APPROVAL

SIGNATURE

DATE

ZL-250-2 (V1)

DIMENSION OUTLINE

DATE	20101027	CHK	CHK	OU FUDONG
DRAWN	SUNWUJUN	APPD	APPD	ZHANG WENBIN
ISSUE A	DATE	CERTIFIED BY		
ISSUE B	DATE	CERTIFIED BY		
ISSUE C	DATE	CERTIFIED BY		
ISSUE D	DATE	CERTIFIED BY		