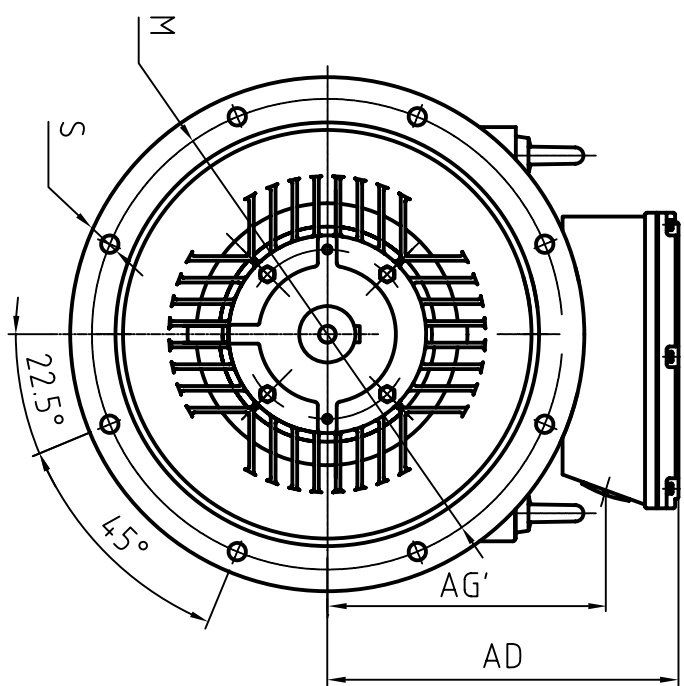
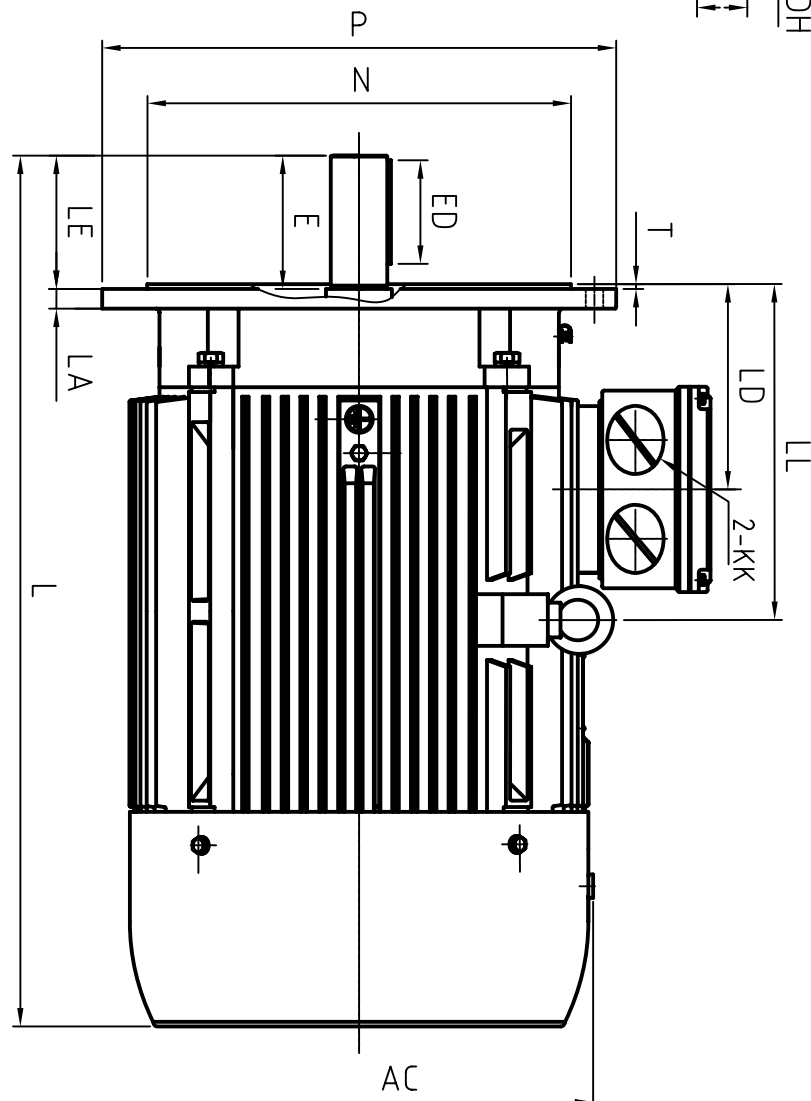
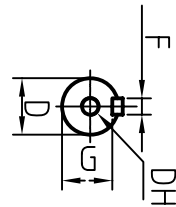


CLIENT:			
FRAME		KW	
VOLTS		RPM	



OUTLINE DIMENSIONS FOOT MOUNTED MOTORS

AC	AD	AG'	KK	L	LA	LD	LE	LL	M	N	P	S	T
φ520	375	293	M63 X 1.5	946	21	353	140	491.5	φ500	φ450	φ550	8×φ18.5	5

SHAFT EXT. DE ONLY

D	DH	E	ED	F	G
φ60 ^{+0.030} _{+0.011}	M20×42	140	110	18	53 ⁰ _{-0.2}

WEIGHT

--	--	--	--	--	--

CUSTOMER APPROVAL SIGNATURE _____ DATE _____

2L-250-2 (PB5)

DIMENSION OUTLINE

DATE	20101027	CHK	CHK	Ou Fudong
DRAWN	SUNWUJUN	APPD	APPD	Zhang Wenbin
ISSUE A	DATE			
ISSUE B	DATE			
ISSUE C	DATE			
ISSUE D	DATE			
		CERTIFIED BY		
		CERTIFIED BY		
		CERTIFIED BY		