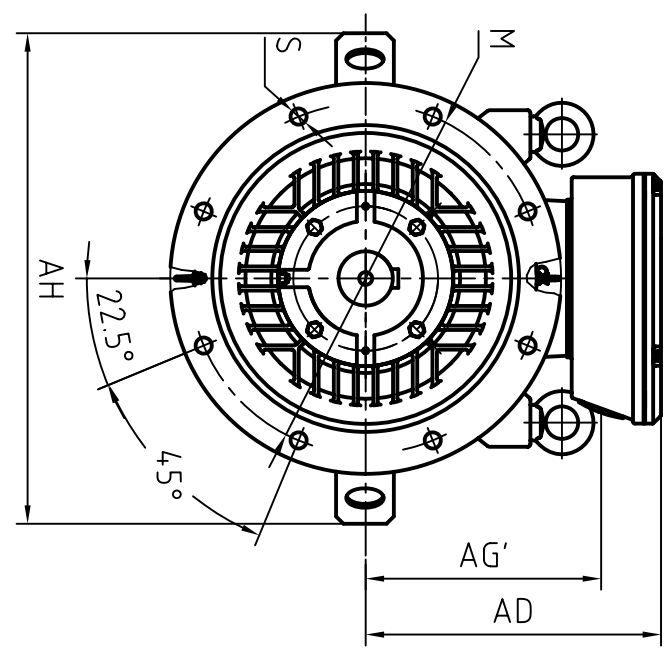
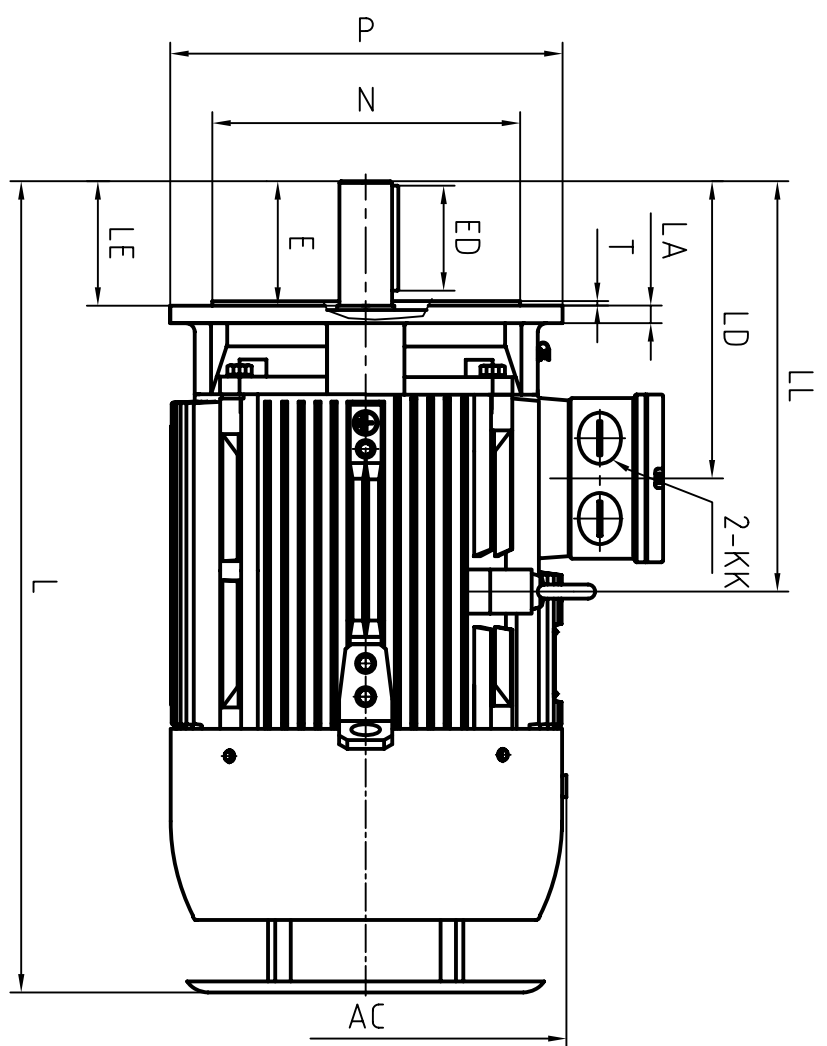


CLIENT:			
FRAME		KW	
VOLTS		RPM	



OUTLINE DIMENSIONS FLANGE MOUNTED MOTORS

SHAFT EXT. DE ONLY

WEIGHT

AC	AD	AG'	AH	KK	L	LA	LD	LE	LL	M	N	P	S	T	D	DH	E	ED	F	G
φ465	335	266	605	M50×1.5	931	20	310	110	438.5	φ400	φ350	φ450	8×18.5	5	φ55 <sup>+0.030</sup> <sub>+0.011</sub>	M20×42	110	90	16	49 <sup>0</sup> <sub>-0.2</sub>

CUSTOMER APPROVAL

SIGNATURE

DATE

ZL-225 M 2P (V1)  
DIMENSION OUTLINE

DATE	20101027	CHK	CHK	Out Huang
DRAWN	SUNWUJUN	APPD	APPD	Zhang Weibin
ISSUE A	DATE		CERTIFIED BY	
ISSUE B	DATE		CERTIFIED BY	
ISSUE C	DATE		CERTIFIED BY	
ISSUE D	DATE		CERTIFIED BY	