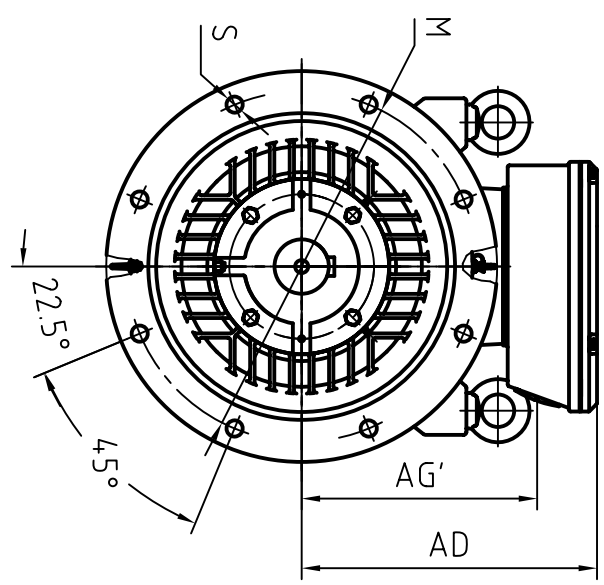
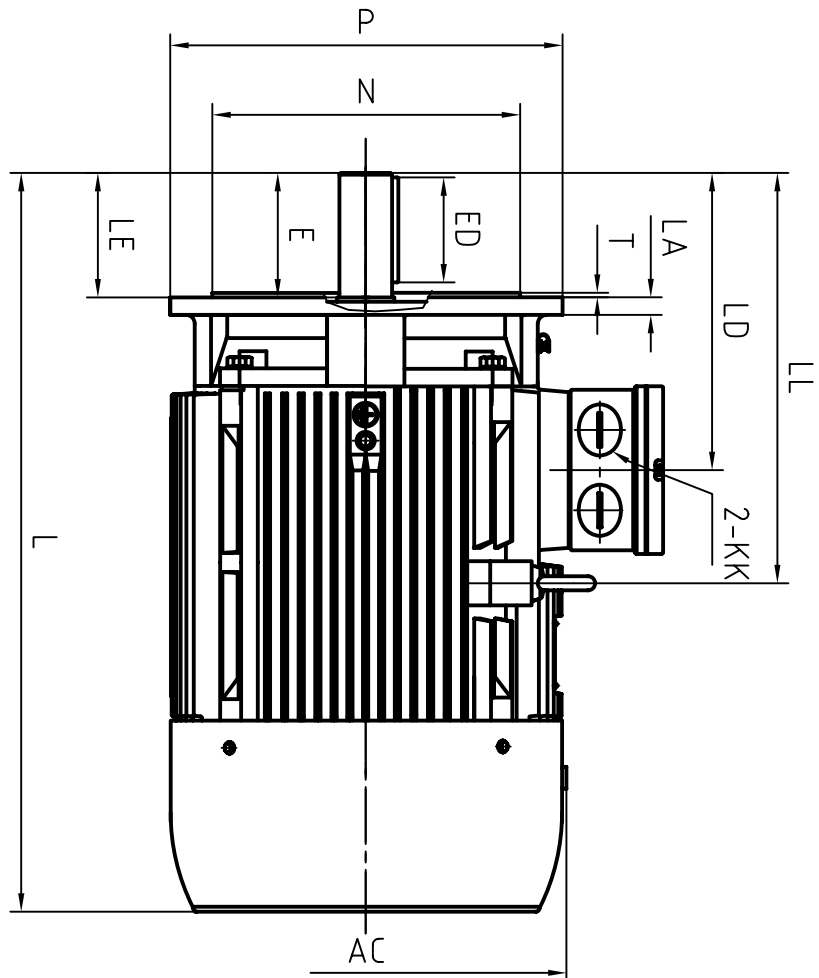


CLIENT:			
FRAME		KW	
VOLTS		RPM	



OUTLINE DIMENSIONS FLANGE MOUNTED MOTORS

AC	AD	AG'	KK	L	LA	LD	LE	LL	M	N	P	S	T
φ465	335	266	M50×1.5	861	20	310	110	438.5	φ400	φ350	φ450	8×18.5	5

SHAFT EXT. DE ONLY

D	DH	E	ED	F	G
φ55 ^{+0.030} / _{+0.011}	M20×42	110	90	16	49 ⁰ / _{-0.2}

WEIGHT

--	--	--	--	--	--

CUSTOMER APPROVAL _____ SIGNATURE _____ DATE _____

DATE		20101027	CHK	Our Hudong
DRAWN		SUNXIAOJUN	APPD	Zhang Weibin
ISSUE A	DATE		CERTIFIED BY	
ISSUE B	DATE		CERTIFIED BY	
ISSUE C	DATE		CERTIFIED BY	
ISSUE D	DATE		CERTIFIED BY	

2L-225 M 2P (B5)
DIMENSION OUTLINE