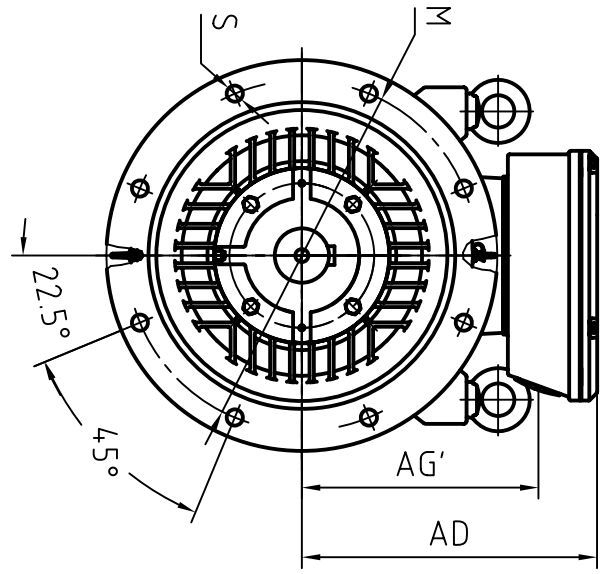
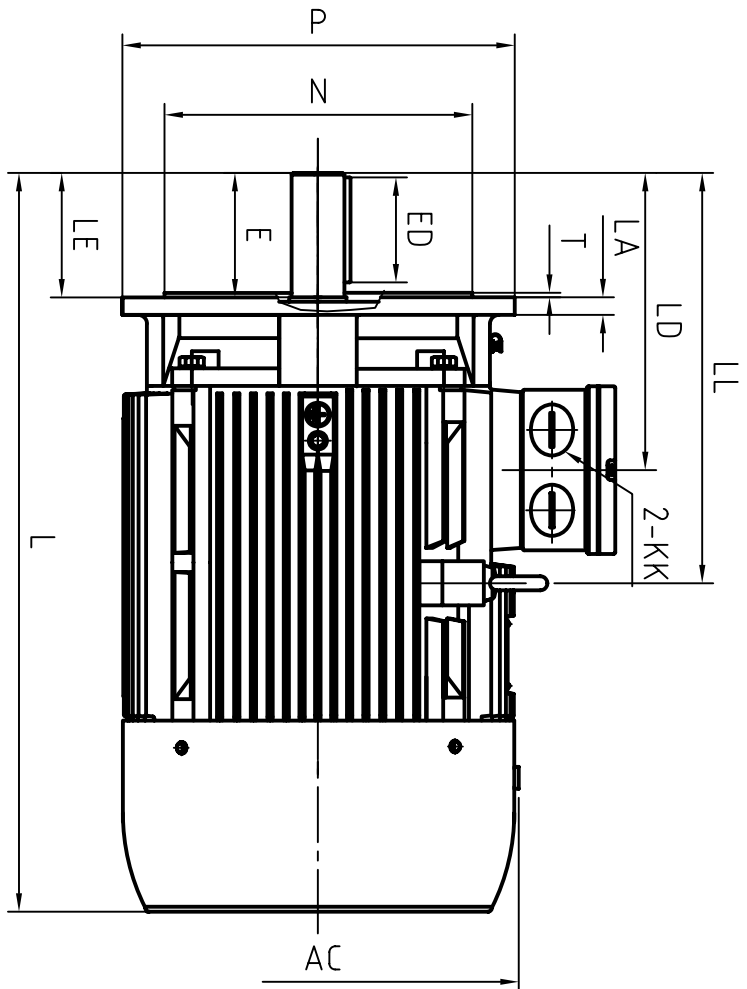


CLIENT:			
FRAME		KW	
VOLTS		RPM	



OUTLINE DIMENSIONS FLANGE MOUNTED MOTORS

SHAFT EXT. DE ONLY

WEIGHT

AC	AD	AG'	LD	KK	L	LL	LA	LE	M	N	P	S	T	D	DH	E	ED	F	G
φ465	335	266	340	M50×1.5	841(225S)	468.5	20	140	φ400	φ350	φ450	8×18.5	5	φ60 <sup>+0.030</sup> <sub>+0.011</sub>	M20×4.2	140	110	18	53 <sup>0</sup> <sub>-0.2</sub>

CUSTOMER APPROVAL

SIGNATURE

DATE

2L-225 4-p (B5)

DIMENSION OUTLINE

DATE	20101027	CHK	CHK	OU HUANG
DRAWN	SUNWUJUN	APPD	APPD	ZHANG WENBIN
ISSUE A	DATE		CERTIFIED BY	
ISSUE B	DATE		CERTIFIED BY	
ISSUE C	DATE		CERTIFIED BY	
ISSUE D	DATE		CERTIFIED BY	