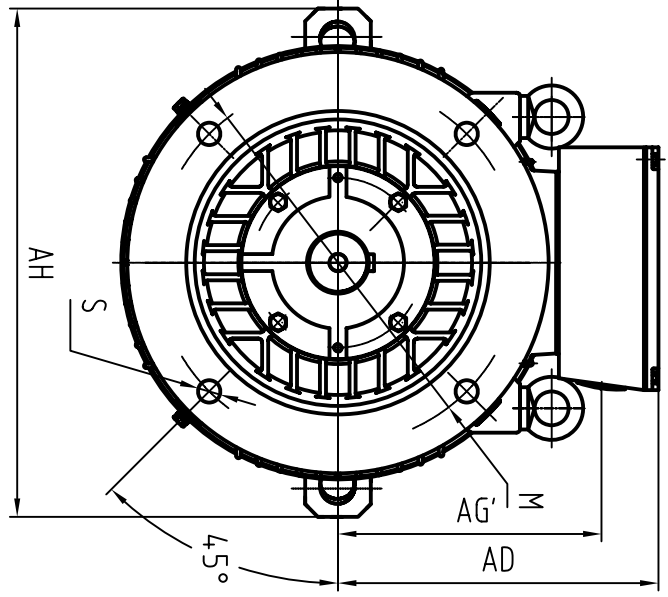
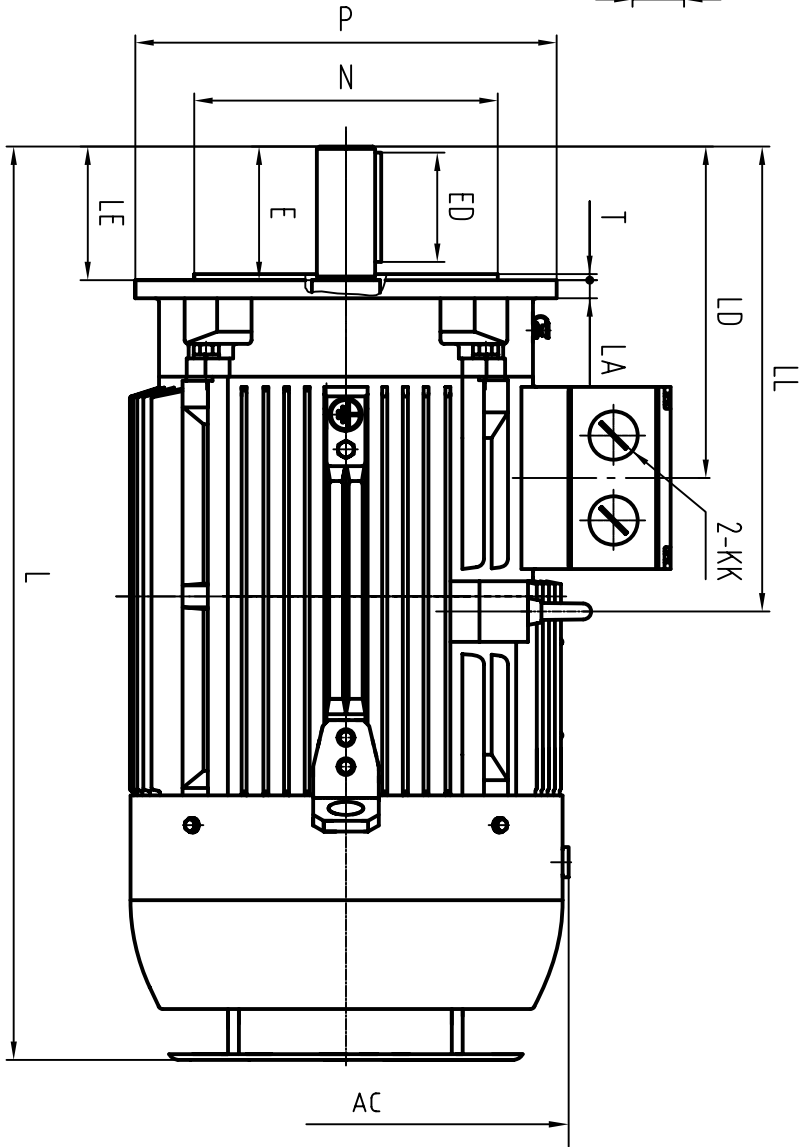


CLIENT:			
FRAME		KW	
VOLTS		RPM	



OUTLINE DIMENSIONS FLANGE MOUNTED MOTORS

SHAFT EXT. DE ONLY

WEIGHT

AC	AD	AG'	AH	KK	L	LA	LD	LE	LL	M	N	P	S	T	D	DH	E	ED	F	G	
φ380	275	217	505	M40x1.5	752(180M)	787(180L)	15	273	110	383	φ300	φ250	φ350	4×φ18.5	5	φ48 <sup>+0.018</sup> <sub>+0.002</sub>	M16×36	110	90	14	42.5 <sup>0</sup> <sub>-0.20</sub>

CUSTOMER APPROVAL

SIGNATURE

DATE

2L-180 2-8P (V1)		DATE	20101027	CHK	OU HUANG
DIMENSION OUTLINE		DRAWN	ZHANG HONG	APPD	ZHANG WEIBIN
ISSUE A	DATE	CERTIFIED BY			
ISSUE B	DATE	CERTIFIED BY			
ISSUE C	DATE	CERTIFIED BY			
ISSUE D	DATE	CERTIFIED BY			