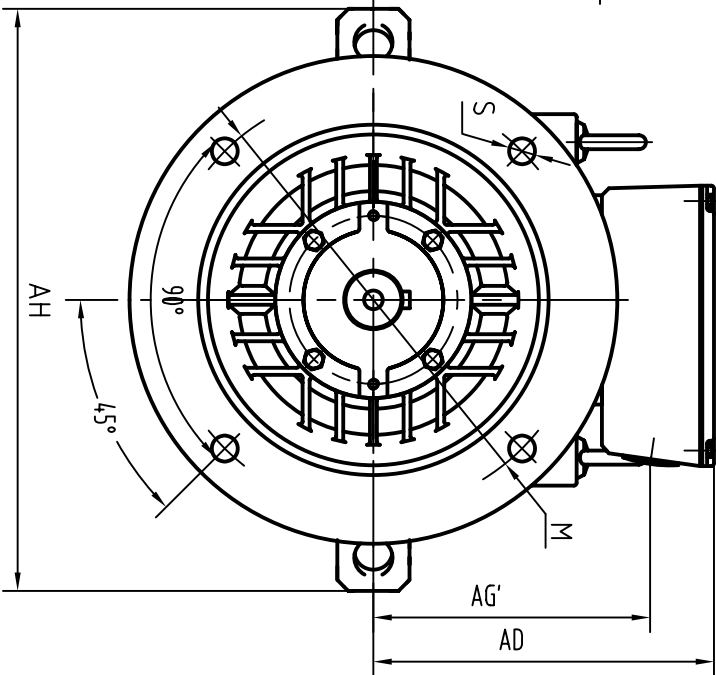
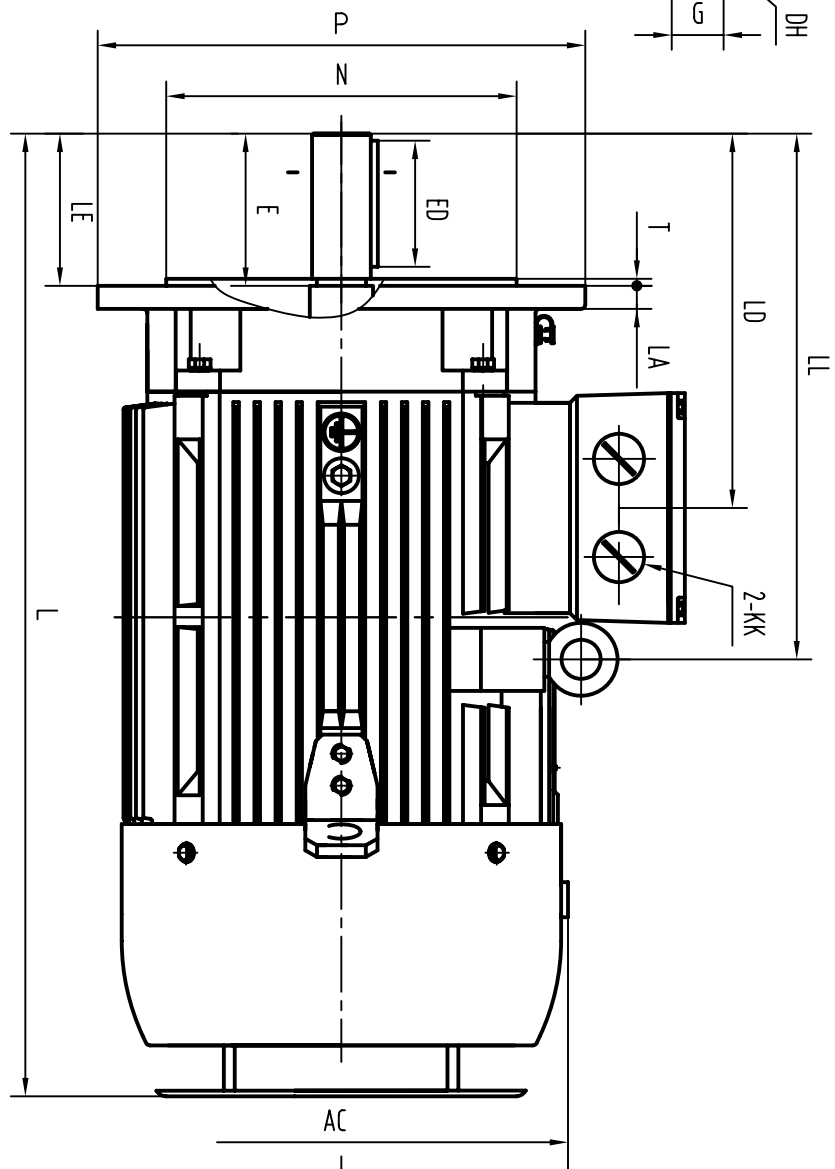


CLIENT:			
FRAME		KW	
VOLTS		RPM	



OUTLINE DIMENSIONS FLANGE MOUNTED MOTORS

SHAFT EXT. DE ONLY

WEIGHT

AC	AD	AG'	AH	KK	LA	LD	LE	LL	M	N	P	S	T	L
φ330	250	200	460	M40X1.5	15	268	110	375	φ300	φ250	φ350	4Xφ18.5	5	712

D	DH	E	ED	F	G
φ42 ^{+0.018} _{+0.002}	M16X36	110	90	12	37 ⁰ _{-0.20}

DATE		2010/02/27	CHK	Our Hudson
DRAWN		ZHANG HONG	APPD	Zhang Weibin
ISSUE	DATE	01.12.18	CERTIFIED BY	
ISSUE	DATE		CERTIFIED BY	
ISSUE	DATE		CERTIFIED BY	

CUSTOMER APPROVAL

SIGNATURE

DATE

2L-160 2-15KW(V1)
DIMENSION OUTLINE