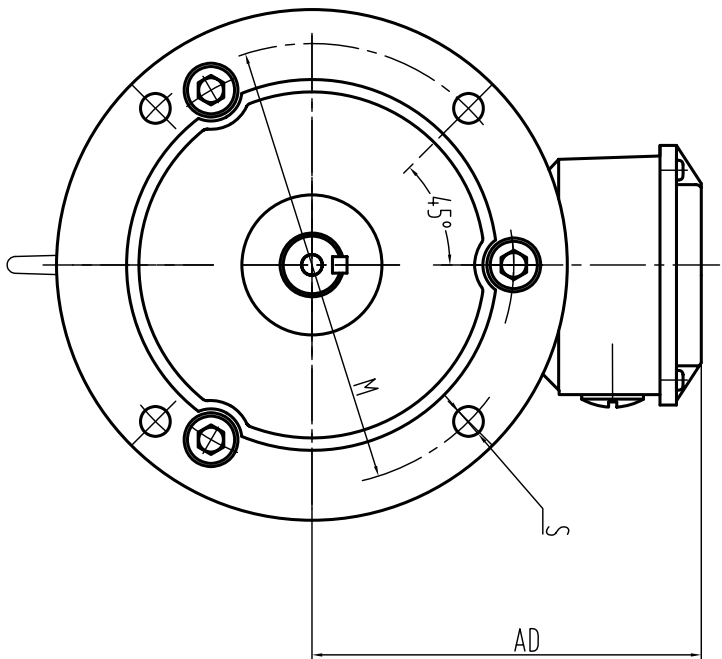
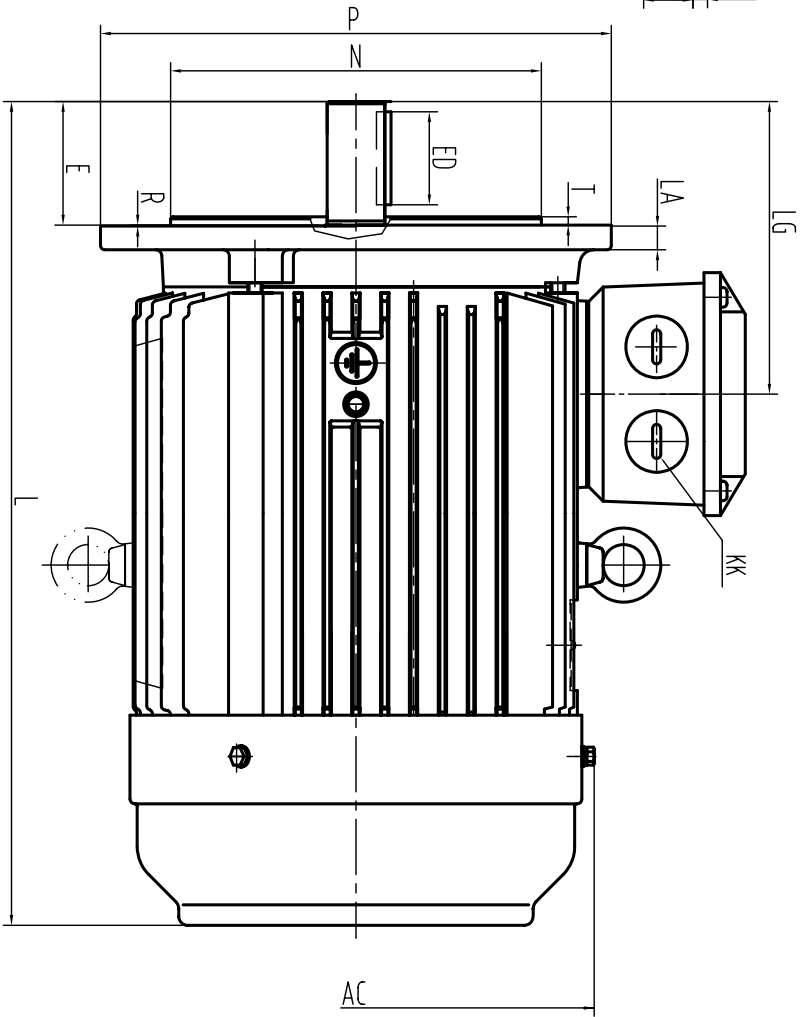
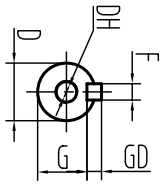


CLIENT: _____

FRAME	_____	KW	_____
VOLTS	_____	RPM	_____



OUTLINE DIMENSIONS FLANGE MOUNTED MOTORS

SHAFT EXT. DE ONLY

WEIGHT

AC	236																			
AD	190																			
KK	M32X1.5																			
LG	144																			
L	480																			
LA	14																			
M	215																			
N	180																			
P	250																			
R	0																			
S	14.5																			
T	4																			
D	28																			
DH	M10X22																			
E	60																			
ED	45																			
F	8																			
G	24																			
GD	7																			

CUSTOMER APPROVAL

SIGNATURE

DATE

21-112 2-8P (B5 V1)

DIMENSION OUTLINE

DATE	2005.12.6	CHK	_____
DRAWN	Liu	APPD	_____
ISSUE A	DATE	CERTIFIED BY	_____
ISSUE B	DATE	CERTIFIED BY	_____
ISSUE C	DATE	CERTIFIED BY	_____
ISSUE D	DATE	CERTIFIED BY	_____