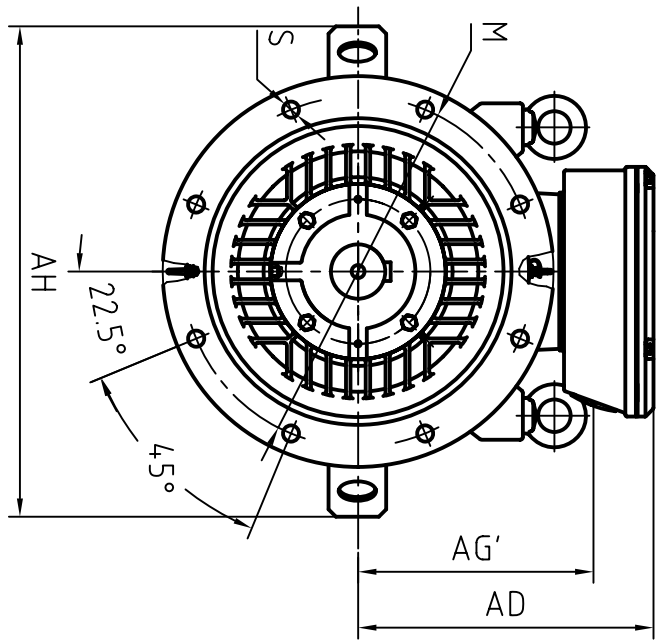
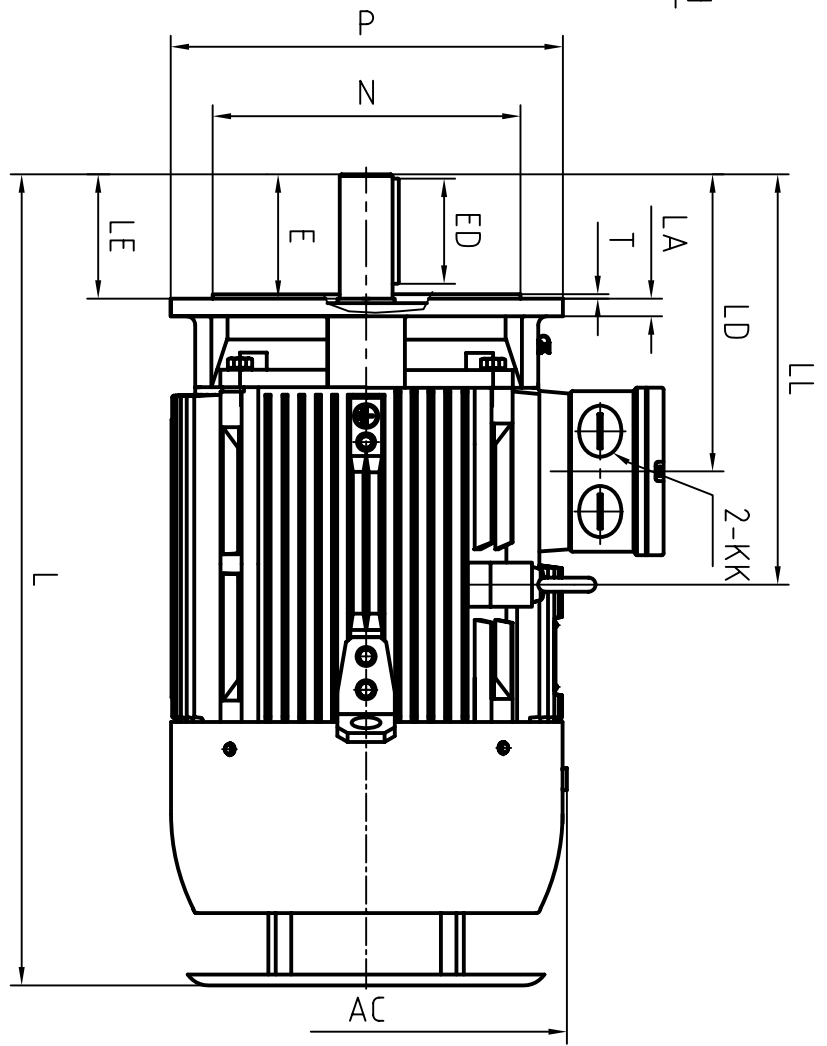


CLIENT:			
FRAME		KW	
VOLTS		RPM	



OUTLINE DIMENSIONS FLANGE MOUNTED MOTORS

SHAFT EXT. DE ONLY

WEIGHT

AC	AD	AH	AG'	LD	KK	L	LL	LA	LE	M	N	P	S	T	D	DH	E	ED	F	G
φ465	335	605	266	340	M50×1.5	911(225S) 936(225M)	468.5	20	140	φ400	φ350	φ450	8×18.5	5	φ60 ^{+0.030} _{+0.011}	M20×42	140	110	18	53 ⁰ _{-0.2}

CUSTOMER APPROVAL

SIGNATURE

DATE

2L-225 4~8P (V1)
DIMENSION OUTLINE

DATE	20101027	CHK	CHK	DATE		CERTIFIED BY	
DRAWN	SUNWUJUN	APPD	APPD	DATE		CERTIFIED BY	
ISSUE A				DATE		CERTIFIED BY	
ISSUE B				DATE		CERTIFIED BY	
ISSUE C				DATE		CERTIFIED BY	
ISSUE D				DATE		CERTIFIED BY	

Qufudong
Zhang Wenbin