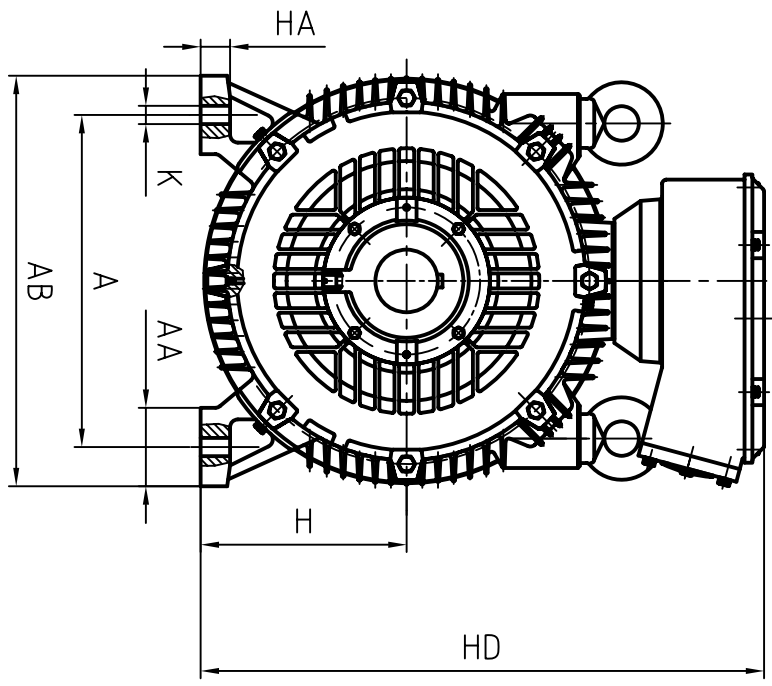
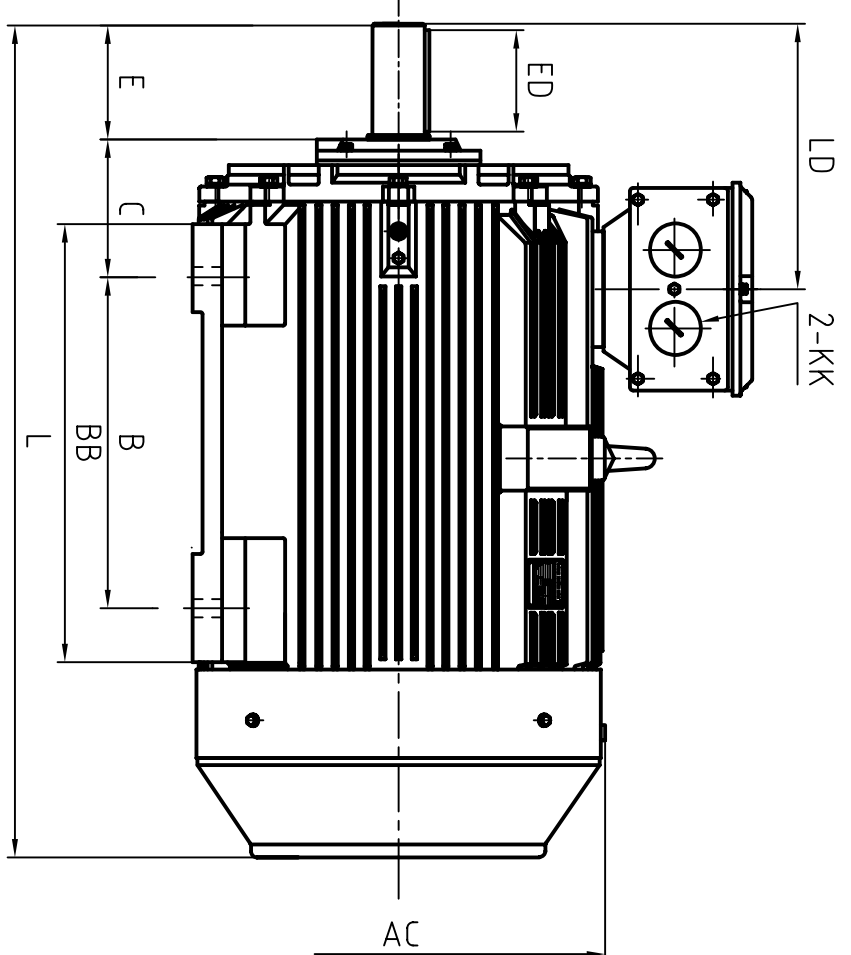
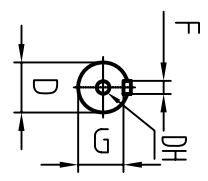


CLIENT:			
FRAME		KW	
VOLTS		RPM	



OUTLINE DIMENSIONS FOOT MOUNTED MOTORS

A	508	D	$\phi 65^{+0.030}_{+0.011}$
AA	120	DH	M20X4.2
AB	635	E	140
AC	$\phi 650$	ED	110
B	406(315S)	F	18
	457(315M)	G	$58^{0}_{-0.20}$
BB	508(315L)		
	565(315S)		
C	216		
H	315		
HA	45		
HD	870		
K	$\phi 28$		
KK	M63X1.5		

SHAFT EXT. DIM ONLY

WEIGHT

1180(315S)	L
1290(315M.L)	
376	LD

CUSTOMER APPROVAL

SIGNATURE

DATE

2L-315 2P (B3)
DIMENSION OUTLINE

DATE	20101027	CHK	CHK	Qut Huadong
DRAWN	SUNWUJUN	APPD	APPD	Zhang Weibin
ISSUE A	DATE		CERTIFIED BY	
ISSUE B	DATE		CERTIFIED BY	
ISSUE C	DATE		CERTIFIED BY	
ISSUE D	DATE		CERTIFIED BY	