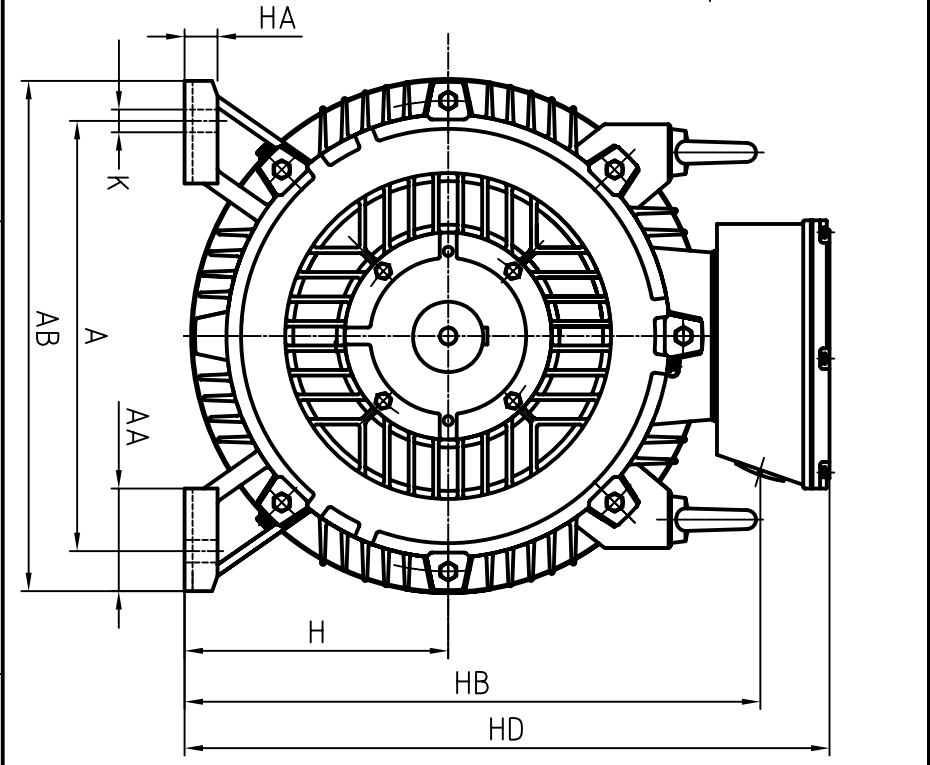
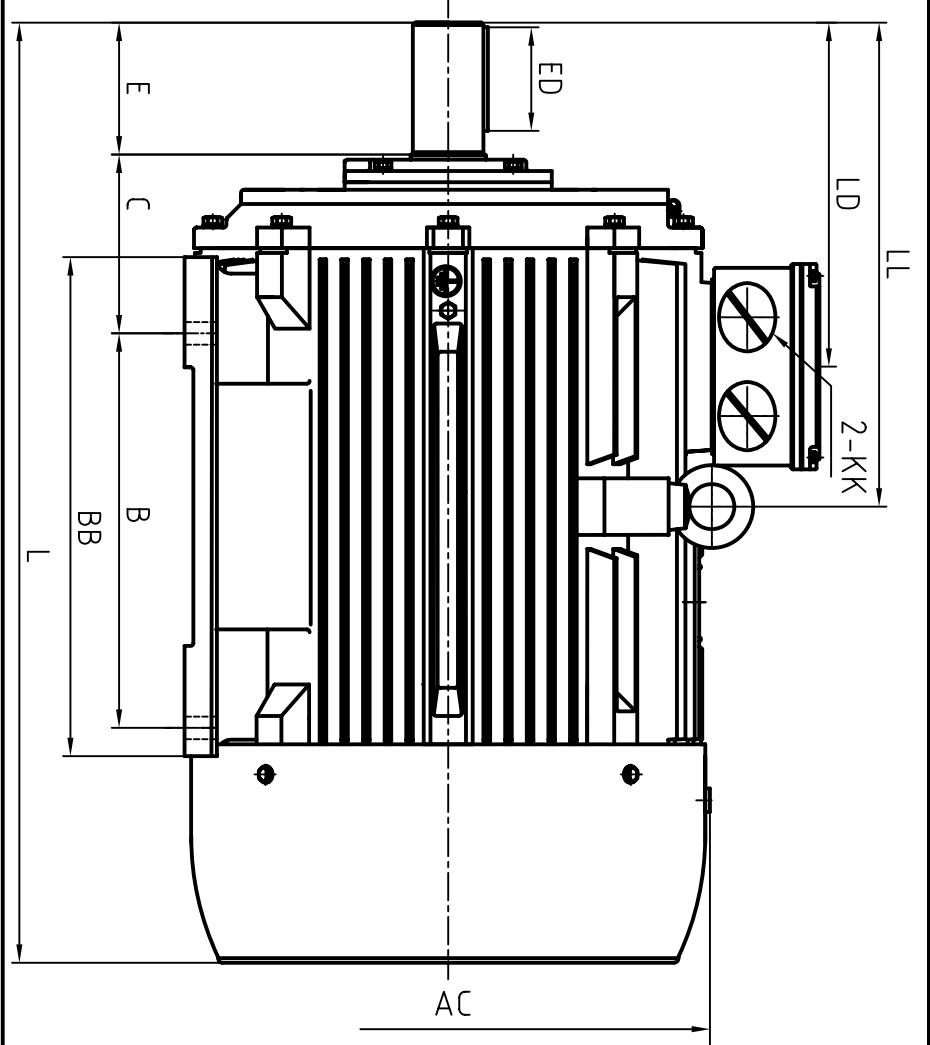
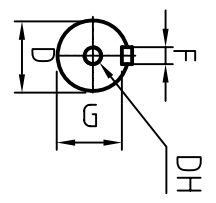


CLIENT:			
FRAME		KW	
VOLTS		RPM	



OUTLINE DIMENSIONS FOOT MOUNTED MOTORS

SHAFT EXT. IDE ONLY

WEIGHT

A	457	B	368(280S)	HA	35	D	$\phi 75^{+0.030}_{+0.011}$	E	140	F	20	G	$67.5^{0}_{-0.2}$
AA	109	BB	535	HB	602	DH	M20X42	ED	110				
AB	550	C	190	HD	685	E		F					
AC	$\phi 570$	H	280	K	$\phi 24$	LD		HB					
		HA		KK	M63 X 1.5	LL		HD					
		HB		L	1010								
		HD		LD	365								
		K		LL	514								
		KK											
		L											
		LD											
		LL											

CUSTOMER APPROVAL

SIGNATURE

DATE

2L-280 4.6.8P (B3)
DIMENSION OUTLINE

DATE	20101027	CHK	CHK	OU FUDONG
DRAWN	ZHANG HONG	APPD	APPD	ZHANG WENBIN
ISSUE A	DATE		CERTIFIED BY	
ISSUE B	DATE		CERTIFIED BY	
ISSUE C	DATE		CERTIFIED BY	
ISSUE D	DATE		CERTIFIED BY	