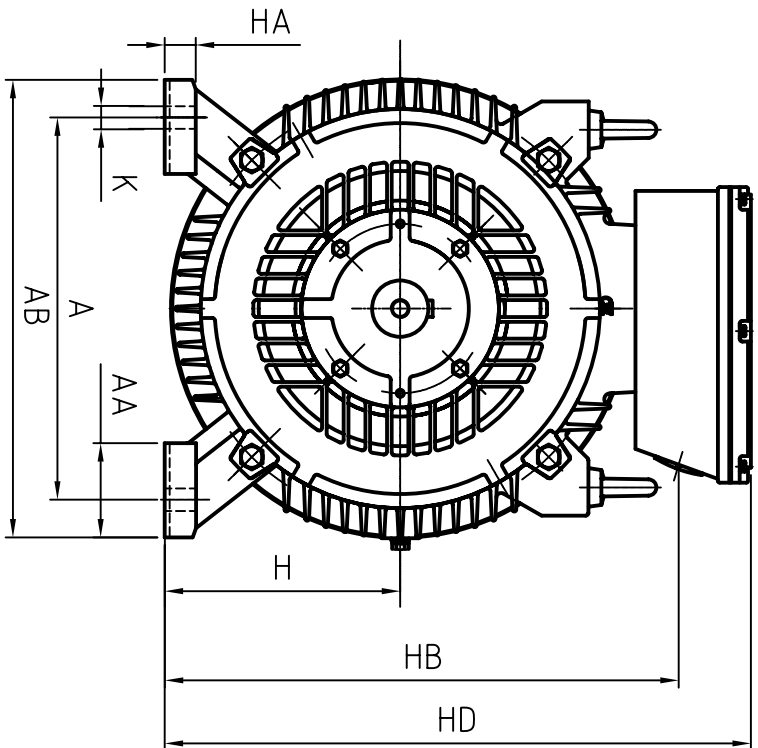
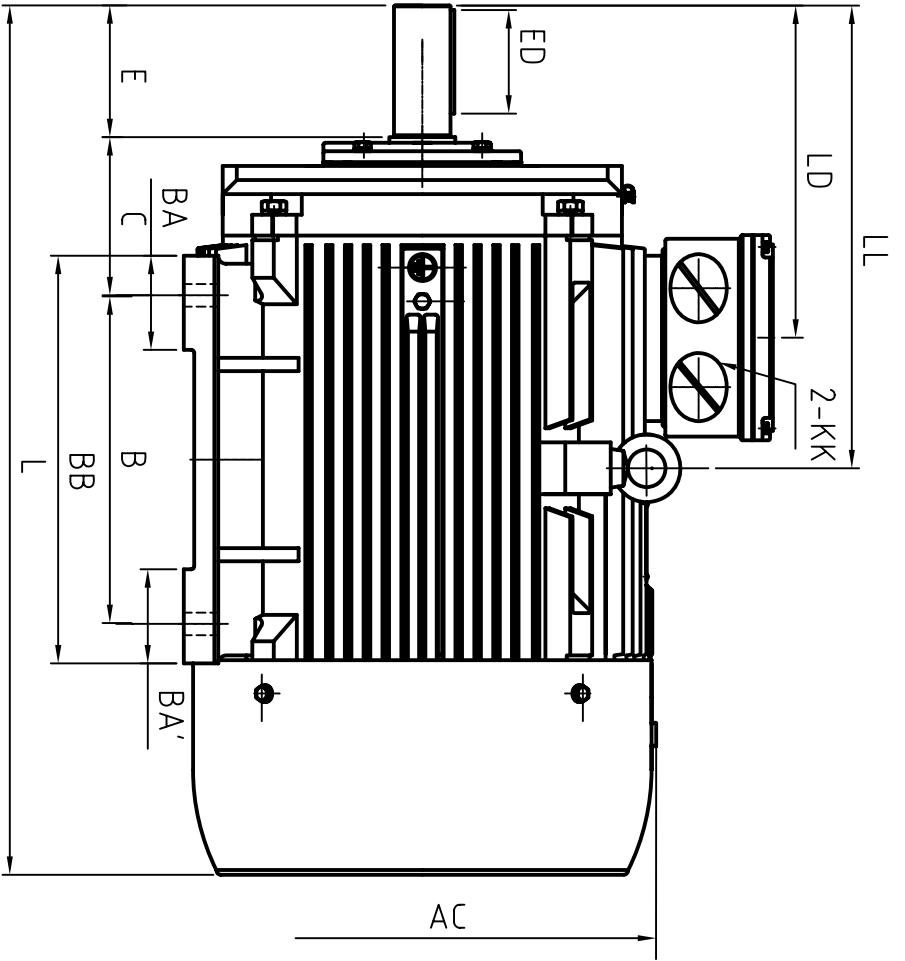


CLIENT:			
FRAME		KW	
VOLTS		RPM	



OUTLINE DIMENSIONS FOOT MOUNTED MOTORS

SHAFT EXT. DE ONLY

WEIGHT

A	406	D	$\phi 65^{+0.030}_{+0.011}$	DATE	20101027	CHK	CHK
AA	88	DH	M20×42	DATE		APPD	APPD
AB	495	E	140	ISSUE A			
AC	$\phi 520$	ED	110	ISSUE B			
B	349	F	18	ISSUE C			
BA	110	G	$58^{0}_{-0.2}$	ISSUE D			
BA'	110						
BB	440						
C	168						
H	250						
HA	33						
HB	543						
HD	625						
K	$\phi 24$						
KK	M63 X 1.5						
L	952						
LD	353						
LL	491.5						

CUSTOMER APPROVAL

SIGNATURE

DATE

2L-250-4,6,8P(B3)
DIMENSION OUTLINE

DATE	20101027	CHK	CHK
DRAWN	SUNXIAOJUN	APPD	APPD
ISSUE A		CERTIFIED BY	Zhang Wenbin
ISSUE B		CERTIFIED BY	
ISSUE C		CERTIFIED BY	
ISSUE D		CERTIFIED BY	