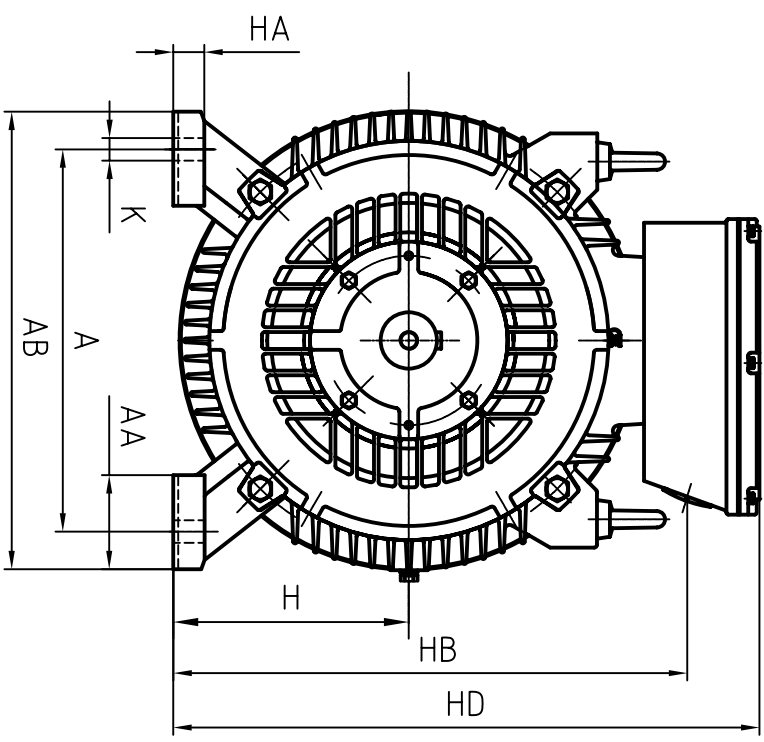
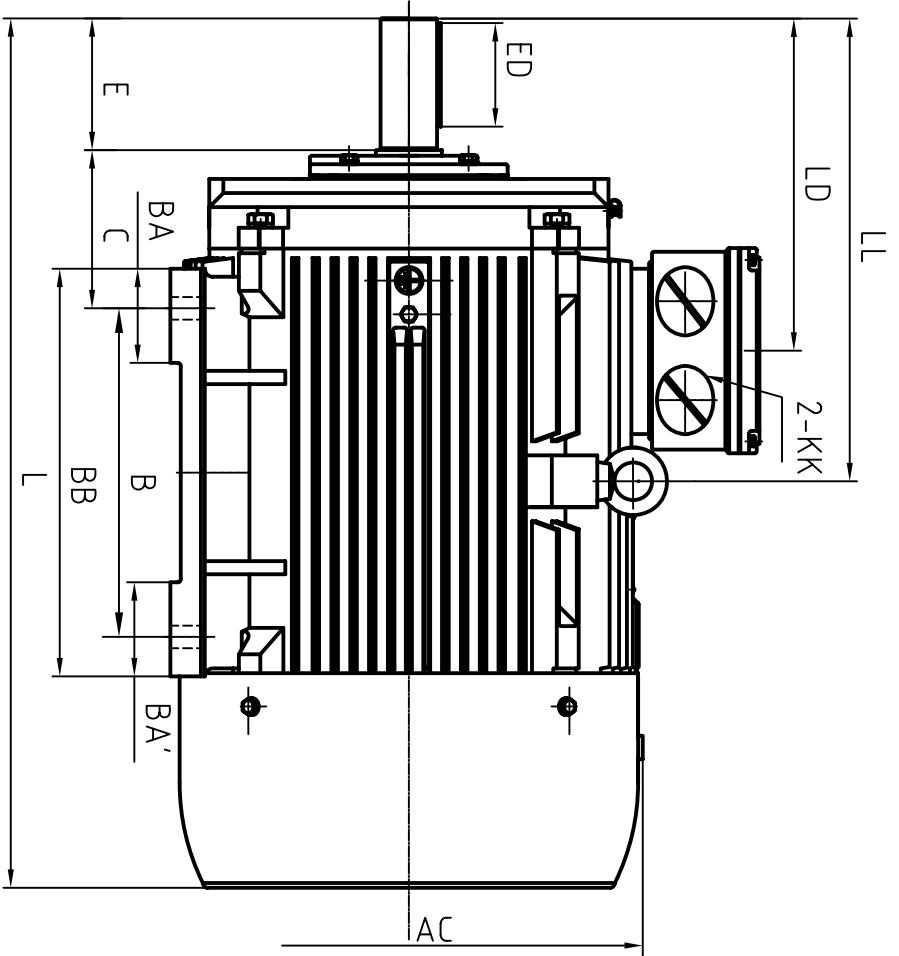


CLIENT:			
FRAME		KW	
VOLTS		RPM	



OUTLINE DIMENSIONS FOOT MOUNTED MOTORS

SHAFT EXT. IDE ONLY

WEIGHT

A	406
AA	88
AB	495
AC	φ520
B	349
BA	110
BA'	110
BB	440
C	168
H	250
HA	33
HB	543
HD	625
K	φ24
KK	M63 X 1.5
L	946
LD	353
LL	491.5
D	φ60 <sup>+0.030</sup> / <sub>+0.011</sub>
DH	M20 X 42
E	140
ED	110
F	18
G	53 <sup>0</sup> / <sub>-0.2</sub>

CUSTOMER APPROVAL \_\_\_\_\_

SIGNATURE \_\_\_\_\_

DATE \_\_\_\_\_

2L-250-2 P(B3)

DIMENSION OUTLINE

DATE	20101027	CHK	CHK	OU Fudong
DRAWN	SUNWUJUN	APPD	APPD	Zhang Wenbin
ISSUE A	DATE		CERTIFIED BY	
ISSUE B	DATE		CERTIFIED BY	
ISSUE C	DATE		CERTIFIED BY	
ISSUE D	DATE		CERTIFIED BY	