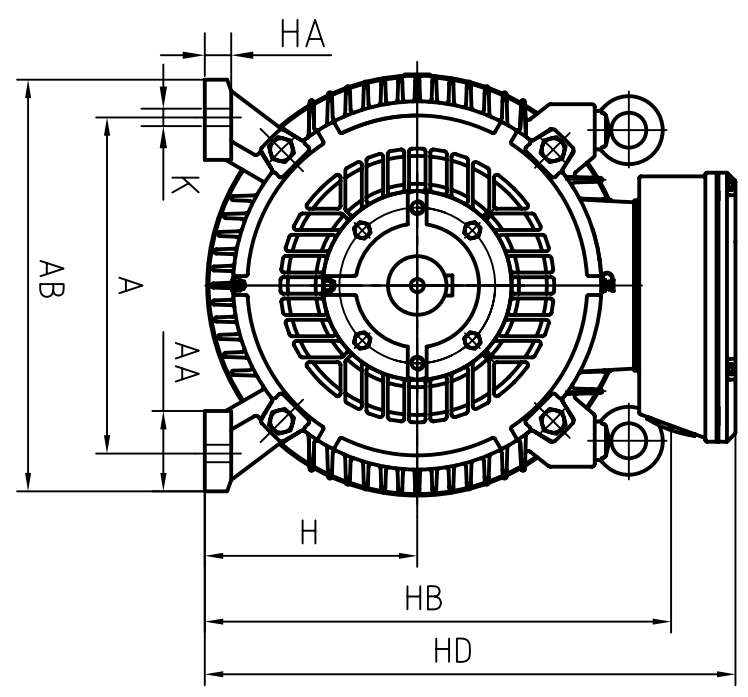
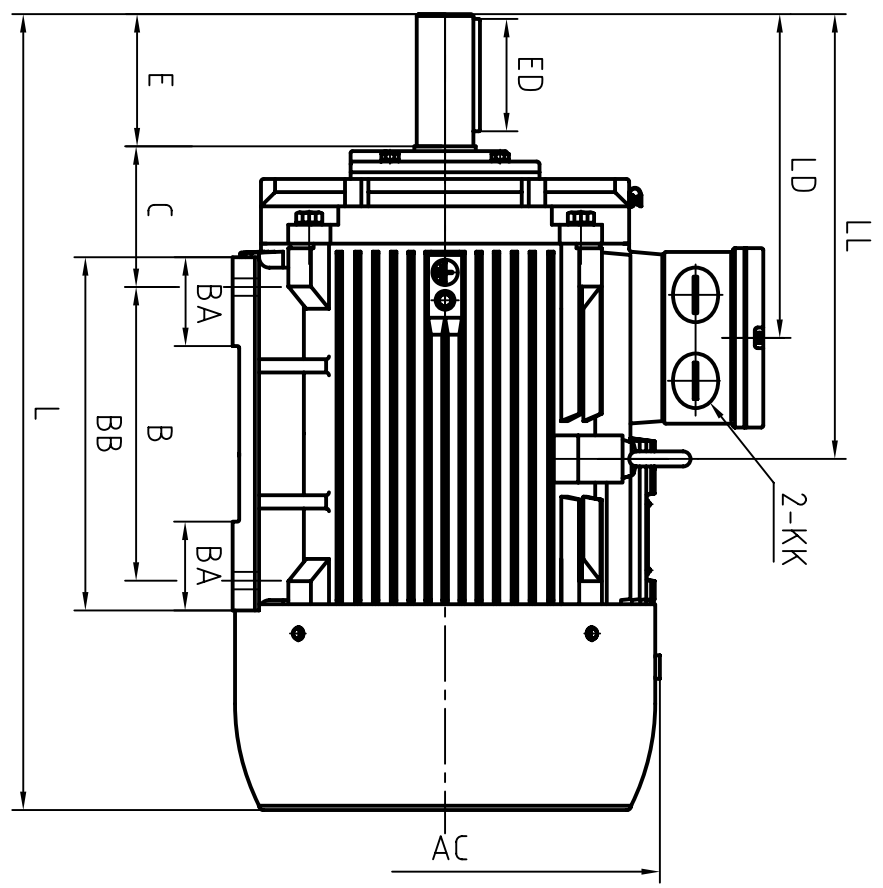


CLIENT:			
FRAME		KW	
VOLTS		RPM	



OUTLINE DIMENSIONS FOOT MOUNTED MOTORS

A	356
AA	80
AB	436
AC	φ465
B	311
BA	88
BB	380
C	149
H	225
HA	28
HB	491
HD	560
K	φ18.5
KK	M50×1.5
L	861
LD	310
LL	438.5
D	φ55 ^{+0.030} / _{+0.011}
DH	M20×4.2
E	110
ED	90
F	16
G	4.9 ⁰ / _{0.2}

SHAFT EXT. DE ONLY

WEIGHT

CUSTOMER APPROVAL

SIGNATURE

DATE

2L-225 M 2P (B3)
DIMENSION OUTLINE

DATE	20101027	CHK	CHK	Out Hudong
DRAWN	SUNWUJUN	APPD	APPD	Zhang Weixin
ISSUE A	DATE		CERTIFIED BY	
ISSUE B	DATE		CERTIFIED BY	
ISSUE C	DATE		CERTIFIED BY	
ISSUE D	DATE		CERTIFIED BY	