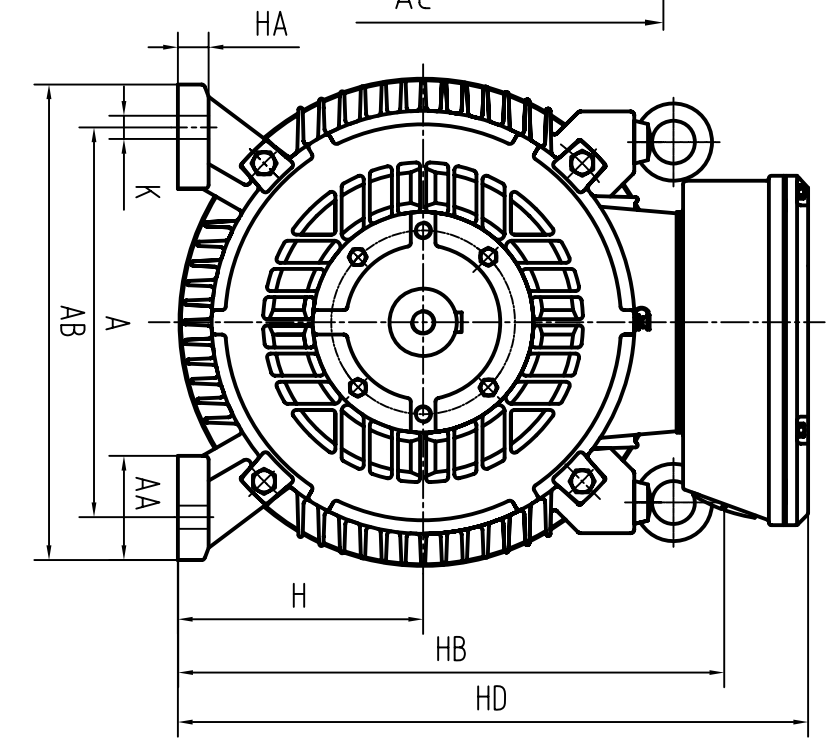
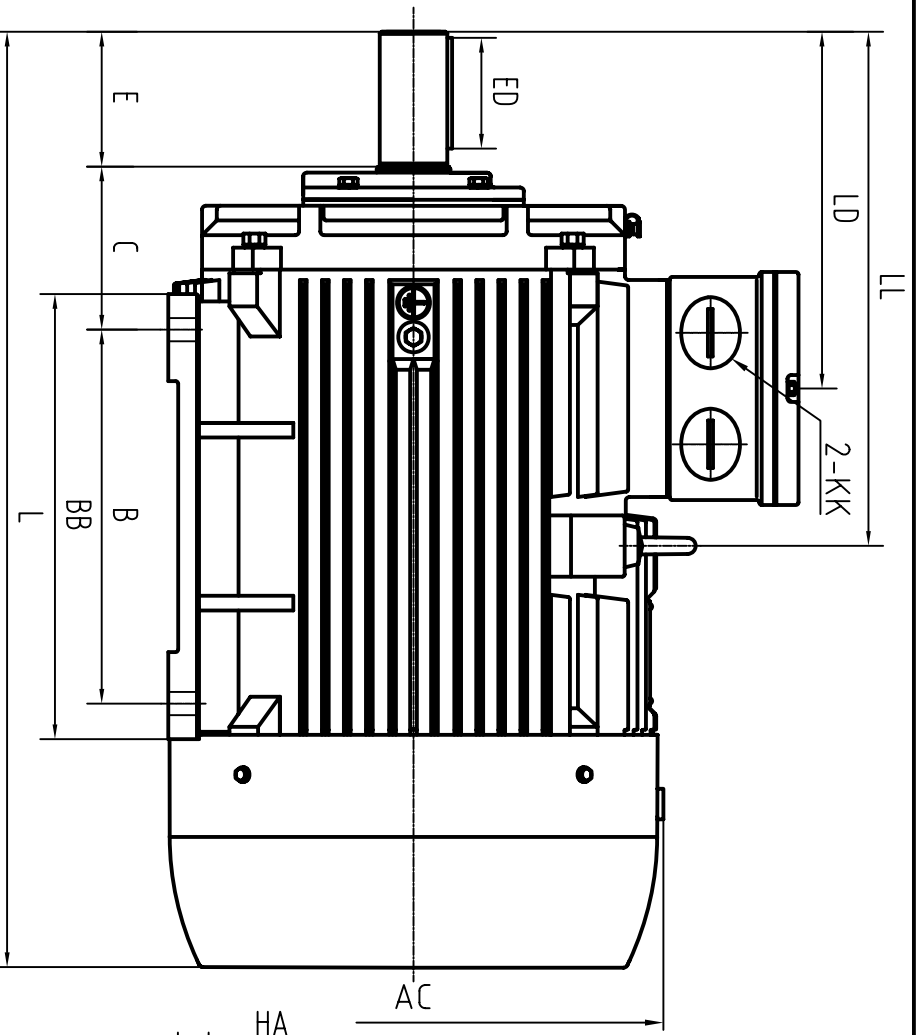


CLIENT:			
FRAME		KW	
VOLTS		RPM	



OUTLINE DIMENSIONS FOOT MOUNTED MOTORS

SHAFT EXT. DE ONLY

WEIGHT

A	318	B	305	L	789	D	$\phi 55^{+0.03}_{+0.011}$	E	110	HA	
AA	85	BB	370	LL	419.5	DH	M20X42	ED	90	HB	
AB	395	C	133	L	789	E	110	F	16	HD	
AC	$\phi 420$	H	200	LL	419.5	ED	90	G	$\phi 49^{0}_{-0.2}$		
		HA	25								
		HB	447								
		HD	524								
		LD	291								
		K	$\phi 18.5$								
		KK	M50X1.5								

CUSTOMER APPROVAL

SIGNATURE

DATE

2L-200 2-8P (B3)				DATE	20101027	CHK	CHK
DIMENSION OUTLINE				DRAWN	ZHANG HONG	APPD	APPD
				ISSUE A	DATE		CERTIFIED BY
				ISSUE B	DATE		CERTIFIED BY
				ISSUE C	DATE		CERTIFIED BY
				ISSUE D	DATE		CERTIFIED BY
							CERTIFIED BY

Our Huadong

Zhang Weibin