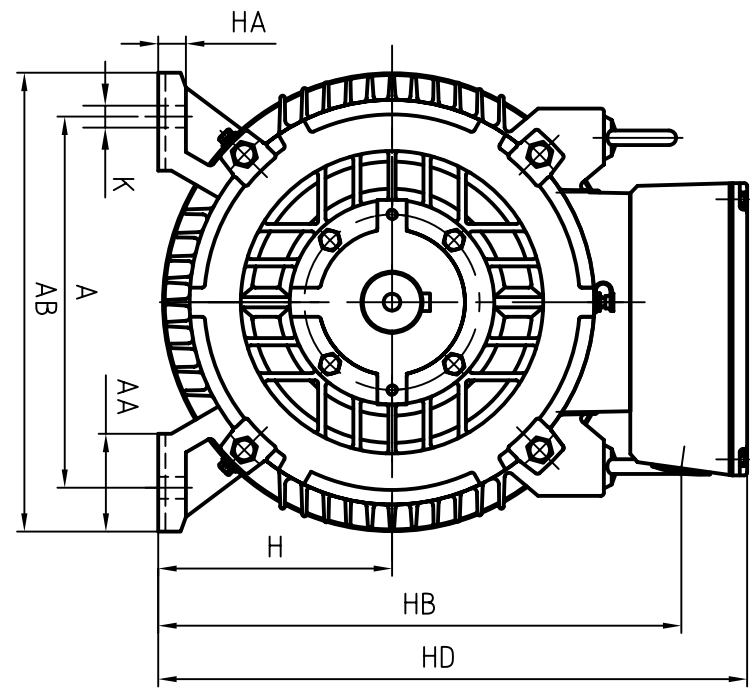
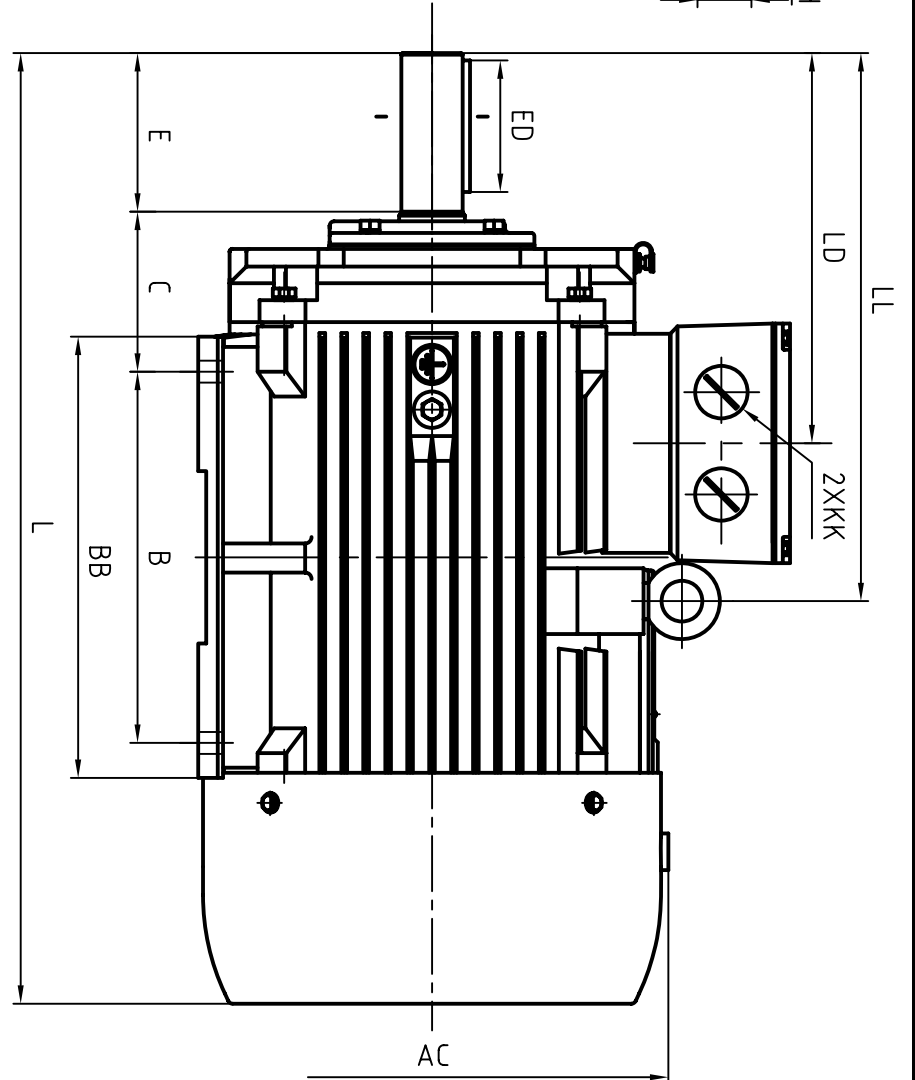


CLIENT:			
FRAME		KW	
VOLTS		RPM	



OUTLINE DIMENSIONS FOOT MOUNTED MOTORS

SHAFT EXT. DE ONLY

WEIGHT

A	254	B	210(160M)	D	$\phi 42^{+0.018}_{+0.002}$	E	110
AA	67	B	254(160L)	DH	M16X36	ED	90
AB	320	BB	260(160M)			F	12
AC	$\phi 330$	BB	305(160L)			G	$37^{0}_{-0.20}$
		C	108				
		H	160				
		HA	19				
		HB	360				
		HD	410				
		K	$\phi 14.5$				
		KK	M40X1.5				

622(160M)	L
667(160L)	LD
268	LL
375	

CUSTOMER APPROVAL

SIGNATURE

DATE

2L-160 2-8P (B3)
DIMENSION OUTLINE

DATE	20101027	CHK	CHK	Out Huang
DRAWN	ZHANG HONG	APPD	APPD	Zhang Weibin
ISSUE (ZX)	DATE		CERTIFIED BY	
ISSUE	DATE		CERTIFIED BY	
ISSUE	DATE		CERTIFIED BY	
ISSUE	DATE		CERTIFIED BY	