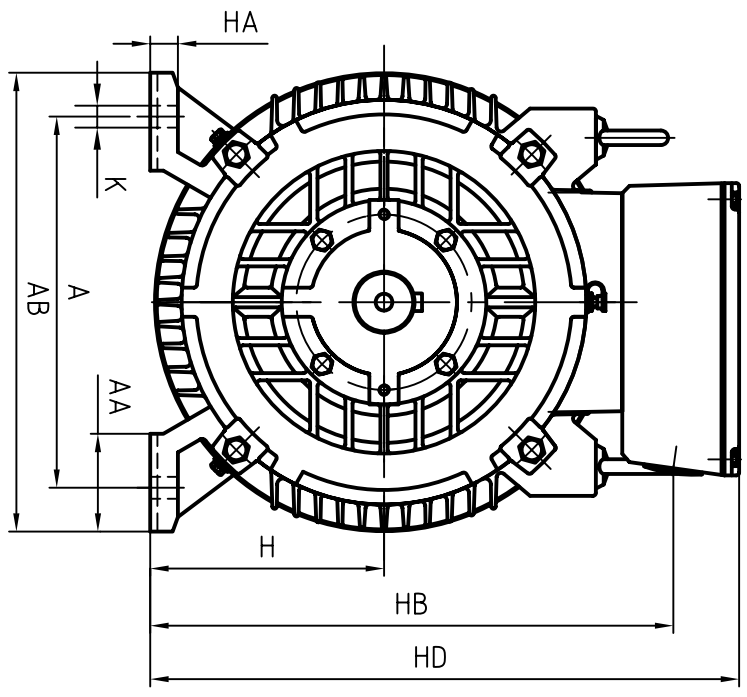
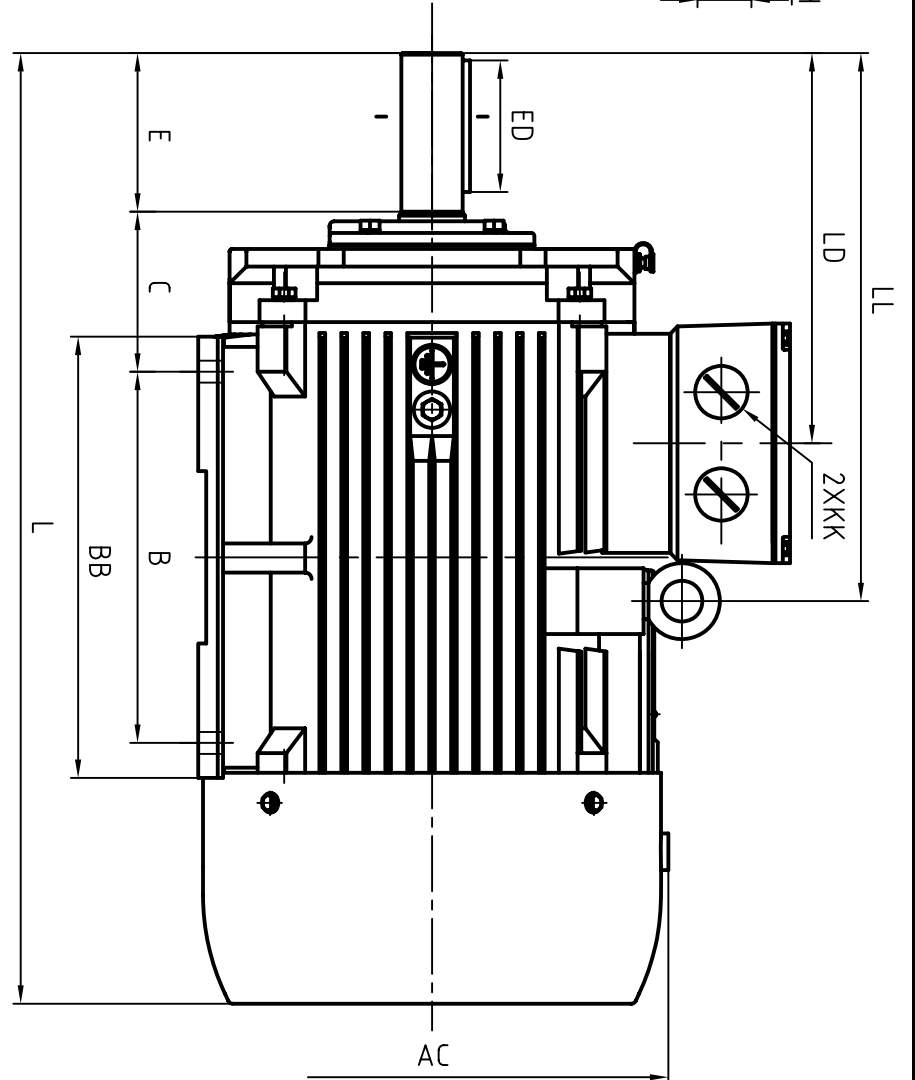


CLIENT:			
FRAME		KW	
VOLTS		RPM	



OUTLINE DIMENSIONS FOOT MOUNTED MOTORS

SHAFT EXT. DE ONLY

WEIGHT

A	254	B	210	HA	19	D	$\phi 42^{+0.018}_{+0.002}$	E	110	F	12	G	$37^{0}_{-0.20}$
AA	67	BB	305	HB	360	DH	M16X36	ED	90				
AB	320	C	108	HD	410	DH	M40X15	F					
AC	$\phi 330$	H	160	K	$\phi 14.5$	DH		G					
		HA		KK	M40X15	E							
		HB											
		HD											
		K											
		KK											

667	L
268	LD
375	LL

CUSTOMER APPROVAL

SIGNATURE

DATE

2L-160 2-15KW (B3)  
DIMENSION OUTLINE

DATE	20101027	CHK	CHK	Out Huang
DRAWN	ZHANG HONG	APPD	APPD	Zhang Weibin
ISSUE (ZX)	DATE		CERTIFIED BY	
ISSUE	DATE		CERTIFIED BY	
ISSUE	DATE		CERTIFIED BY	
ISSUE	DATE		CERTIFIED BY	