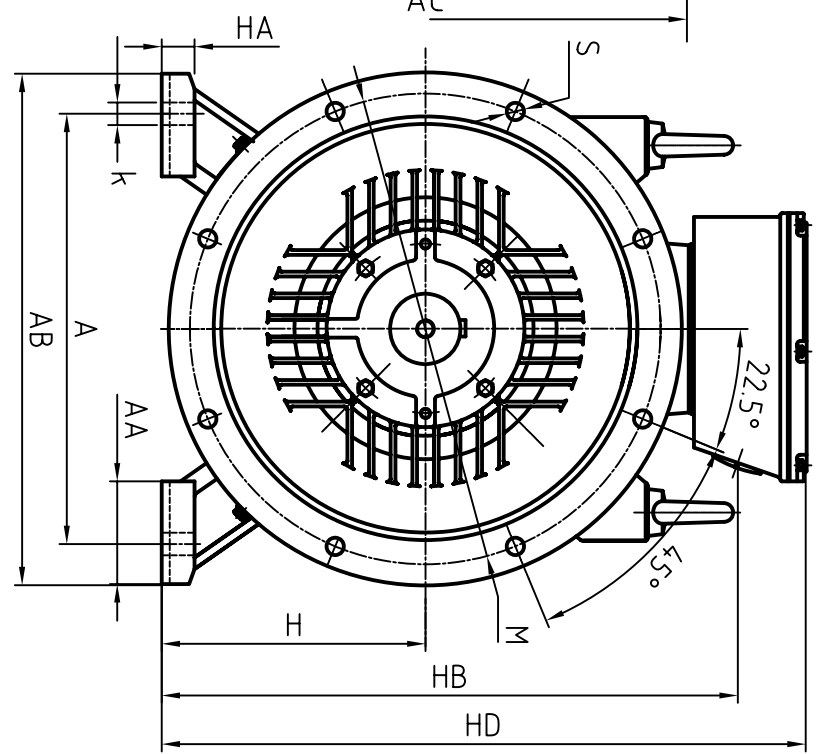
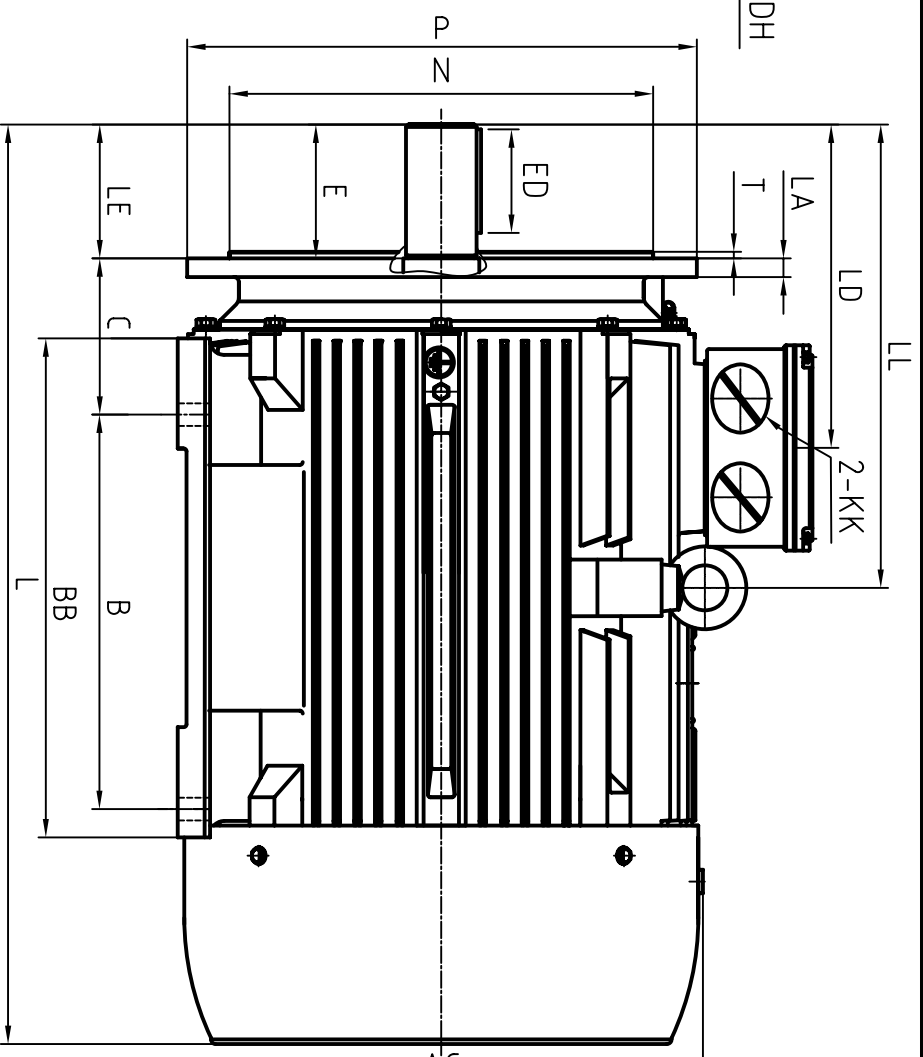
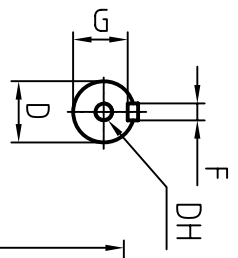


CLIENT:			
FRAME		KW	
VOLTS		RPM	



OUTLINE DIMENSIONS FOOT MOUNTED MOTORS

SHAFT EXT. DE ONLY

WEIGHT

A	457	B	368(280S)	BB	535	HA	35	L	1020	D	$\phi 65^{+0.030}_{+0.011}$	E	140	F	18	G	$58^{0}_{-0.2}$
AA	109	B	419(280M)	C	190	HB	602	LA	22	DH	M20×42	ED	110				
AB	550			H	280	HD	685	LD	365	E							
AC	$\phi 570$			HA		K	$\phi 24$			DH							

LE	140
LL	514
M	$\phi 500$
N	$\phi 450$
P	$\phi 550$
S	8× $\phi 18.5$
T	5

CUSTOMER APPROVAL

SIGNATURE

DATE

2L-280-2P (B35)
DIMENSION OUTLINE

DATE	20101027	CHK	CHK	OU HUANG
DRAWN	ZHANG HONG	APPD	APPD	ZHANG WENBIN
ISSUE A	DATE	CERTIFIED BY		
ISSUE B	DATE	CERTIFIED BY		
ISSUE C	DATE	CERTIFIED BY		
ISSUE D	DATE	CERTIFIED BY		