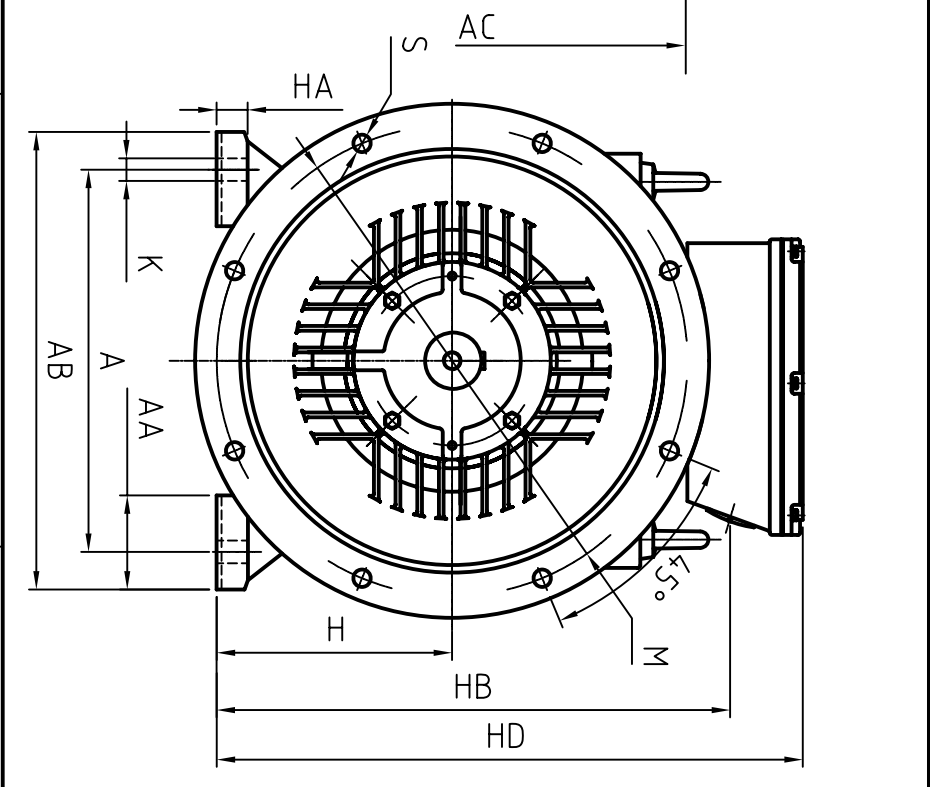
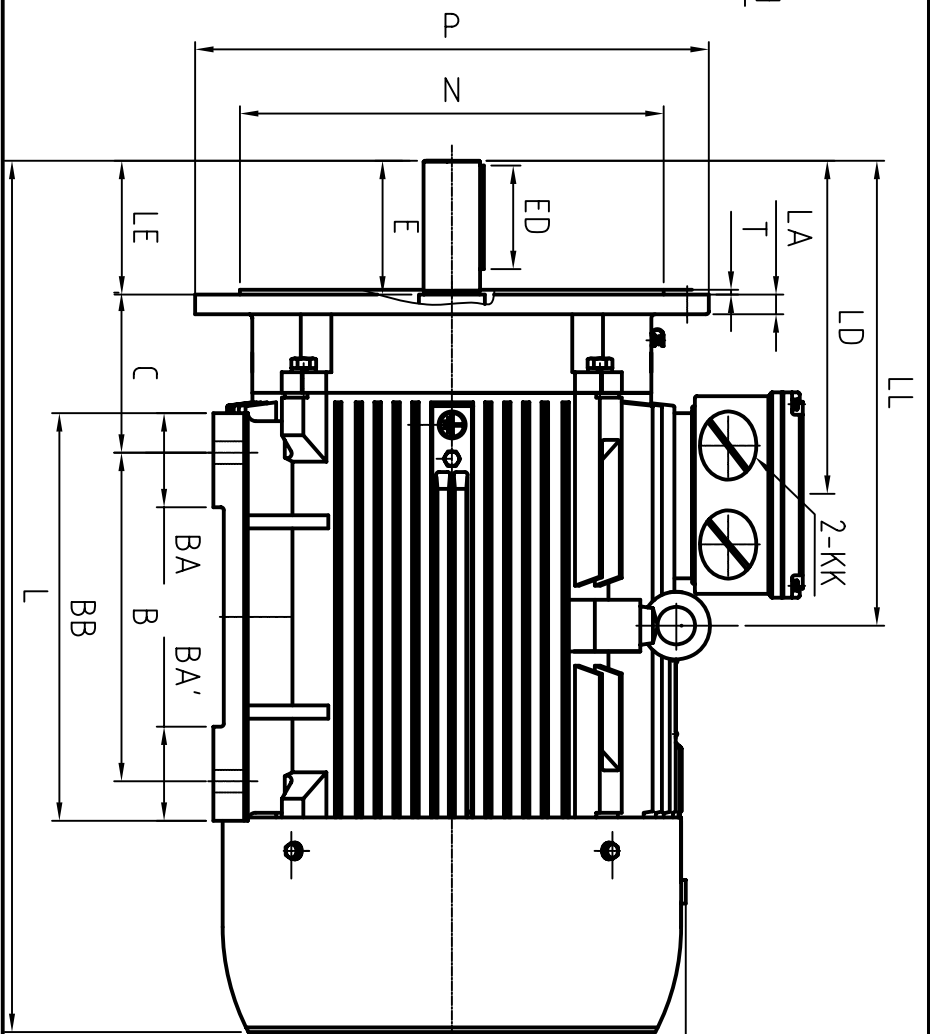
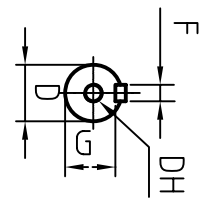


|         |  |     |  |
|---------|--|-----|--|
| CLIENT: |  |     |  |
| FRAME   |  | KW  |  |
| VOLTS   |  | RPM |  |



OUTLINE DIMENSIONS FOOT MOUNTED MOTORS

SHAFT EXT. DE ONLY

WEIGHT

|     |            |    |                             |
|-----|------------|----|-----------------------------|
| A   | 406        | D  | $\phi 60^{+0.030}_{+0.011}$ |
| AA  | 88         | DH | M20×42                      |
| AB  | 495        | E  | 140                         |
| AC  | $\phi 520$ | ED | 110                         |
| B   | 349        | F  | 18                          |
| BA  | 110        | G  | $53^{0}_{-0.2}$             |
| BA' | 110        |    |                             |
| BB  | 440        |    |                             |
| C   | 168        |    |                             |
| H   | 250        |    |                             |
| HA  | 33         |    |                             |
| HB  | 543        |    |                             |
| HD  | 625        |    |                             |
| K   | $\phi 24$  |    |                             |
| KK  | M63 X 1.5  |    |                             |
| L   | 946        |    |                             |
| LD  | 353        |    |                             |
| LL  | 491.5      |    |                             |

|                      |    |
|----------------------|----|
| 21                   | LA |
| 140                  | LE |
| $\phi 500$           | M  |
| $\phi 450$           | N  |
| $\phi 550$           | P  |
| $8 \times \phi 18.5$ | S  |
| 5                    | T  |

CUSTOMER APPROVAL \_\_\_\_\_  
 SIGNATURE \_\_\_\_\_ DATE \_\_\_\_\_

|                   |  |         |            |      |              |
|-------------------|--|---------|------------|------|--------------|
| 2L-250-2P (B35)   |  | DATE    | 20101027   | CHK  | CHK          |
| DIMENSION OUTLINE |  | DRAWN   | SUNYIAOJUN | APPD | APPD         |
|                   |  | ISSUE A | DATE       |      | CERTIFIED BY |
|                   |  | ISSUE B | DATE       |      | CERTIFIED BY |
|                   |  | ISSUE C | DATE       |      | CERTIFIED BY |
|                   |  | ISSUE D | DATE       |      | CERTIFIED BY |

Ou Hudong  
 Zhang Wenbin