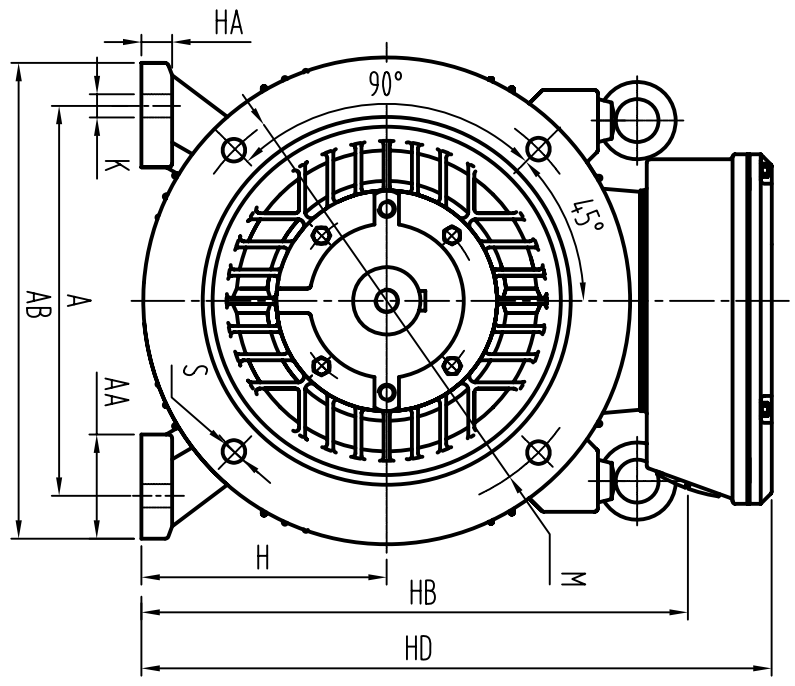
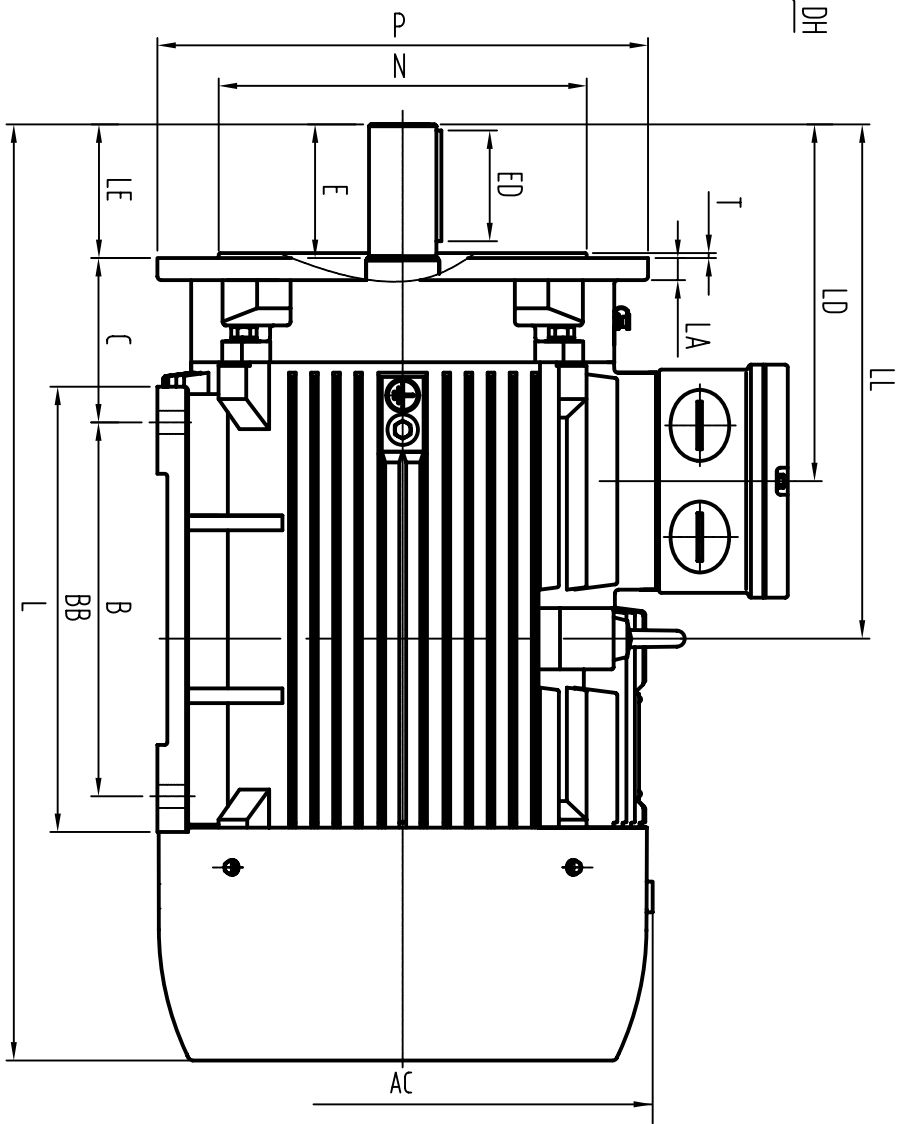
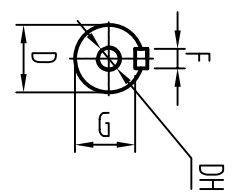


CLIENT:			
FRAME		KW	
VOLTS		RPM	



OUTLINE DIMENSIONS FOOT-FLANGE MOUNTED MOTORS

SHAFT EXT. DE ONLY

WEIGHT

A	318	B	305	D	Ø55 <sup>+0.03</sup> / <sub>+0.011</sub>	HA	
AA	85	BB	370	DH	M20×42	H	
AB	395	C	133	E	110	HB	
AC	Ø420	H	200	ED	90	HD	
		HA	25	F	16		
		HB	447	G	49 <sup>0</sup> / <sub>-0.2</sub>		
		HD	524				
		K	Ø18.5				
		KK	M50×1.5				
		L	789				
		LA	17				
		LD	291				
		D	Ø55 <sup>+0.03</sup> / <sub>+0.011</sub>				
		DH	M20×42				
		E	110				
		ED	90				
		F	16				
		G	49 <sup>0</sup> / <sub>-0.2</sub>				

110	LE
419.5	LL
Ø350	M
Ø300	N
Ø400	P
4×Ø18.5	S
5	T

CUSTOMER APPROVAL \_\_\_\_\_ SIGNATURE \_\_\_\_\_ DATE \_\_\_\_\_

2L-200 2~8P (B35)		DATE	20101027	CHK	Our Hudong
DIMENSION OUTLINE		DRAWN	ZHANG HONG	APPD	Zhang Weimin
ISSUE A	DATE	ISSUE B	DATE	CERTIFIED BY	
ISSUE C	DATE	ISSUE D	DATE	CERTIFIED BY	