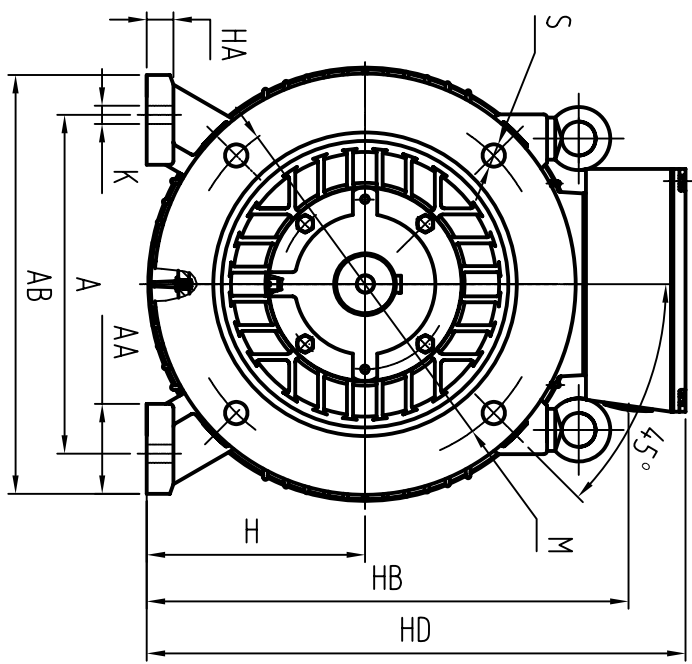
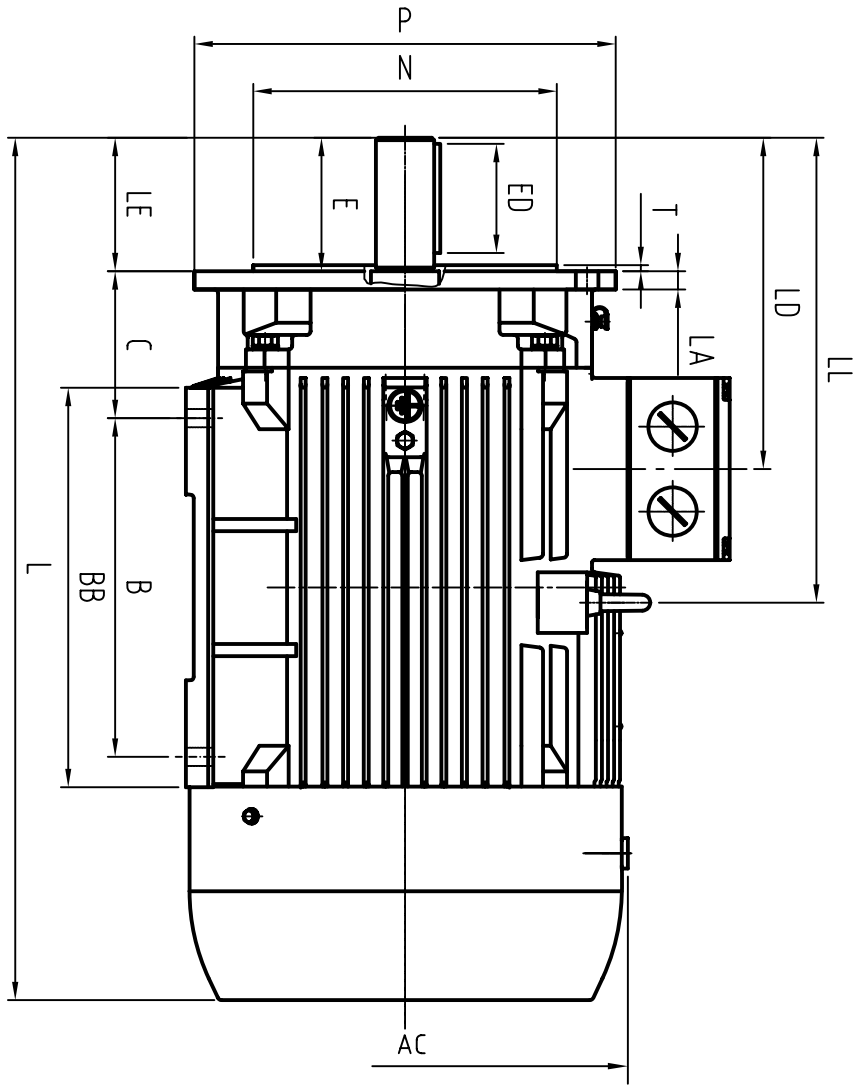


CLIENT:			
FRAME		KW	
VOLTS		RPM	



OUTLINE DIMENSIONS FOOT-FLANGE MOUNTED MOTORS

SHAFT EXT. DE ONLY

WEIGHT

A	279
AA	74
AB	350
AC	φ380
B	241(1L180M)
BB	279(1L180L)
C	297(1L180M)
CC	335(1L180L)
C	121
H	180
HA	22
HB	397
HD	455
K	φ14.5
KK	M4.0X1.5
L	697(1L180M)
LL	732(1L180L)
LA	15
LD	273
D	φ48 ^{+0.018} / _{+0.002}
DH	M16X36
E	110
ED	90
F	14
G	42.5 ⁰ / _{-0.20}

110	LE
383	LL
φ300	M
φ250	N
φ350	P
4Xφ18.5	S
5	T

CUSTOMER APPROVAL

SIGNATURE

DATE

2L-180 2-8P (B35)
DIMENSION OUTLINE

DATE	20101027	CHK	CHK	QuHuang
DRAWN	ZHANG HONG	APPD		Zhang Weibin
ISSUE A	DATE		CERTIFIED BY	
ISSUE B	DATE		CERTIFIED BY	
ISSUE C	DATE		CERTIFIED BY	
ISSUE D	DATE		CERTIFIED BY	