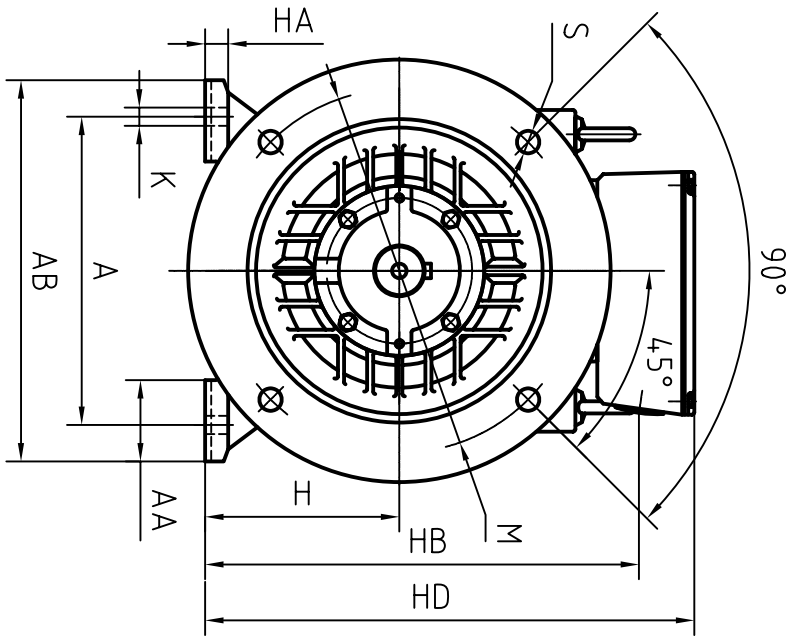
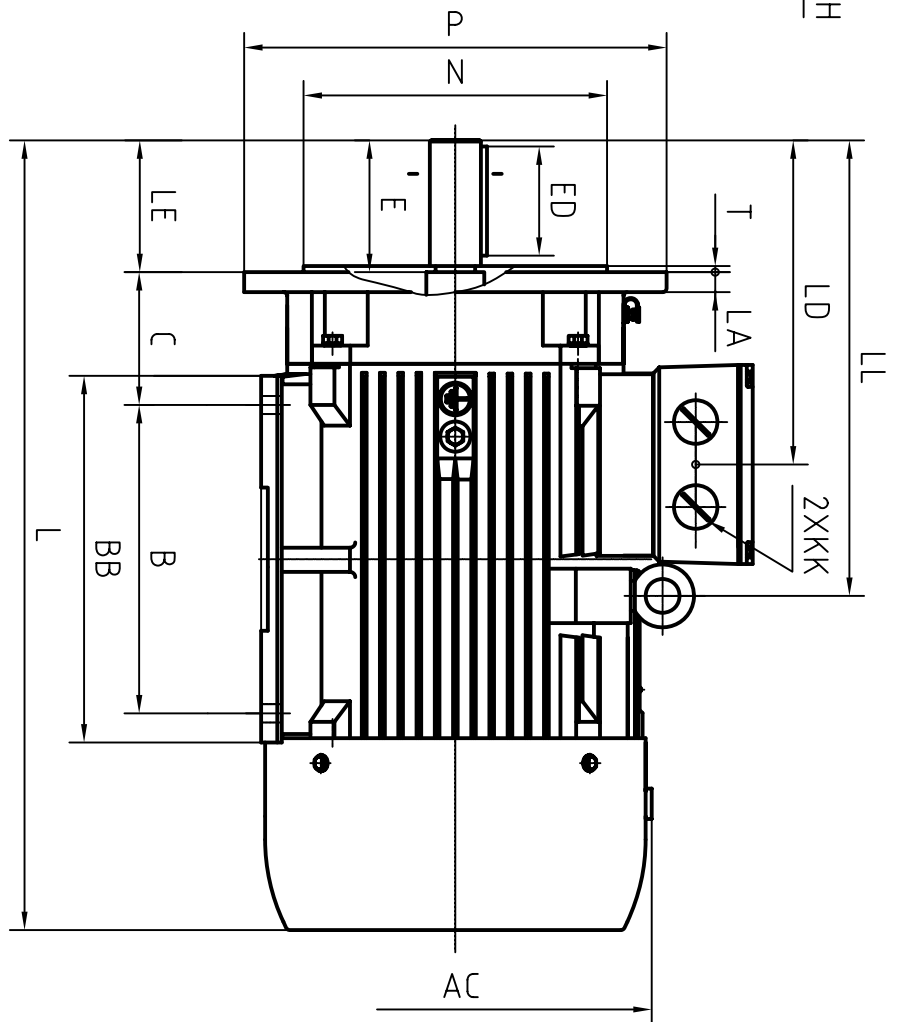
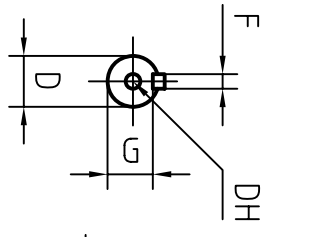


CLIENT:			
FRAME		KW	
VOLTS		RPM	



OUTLINE DIMENSIONS FOOT-FLANGE MOUNTED MOTORS

A	254	210(160M)	108	19	360	410	φ14.5	M40X1.5	15	φ42 ^{+0.018} _{+0.002}	M16X36	110	90	12	37 ⁰ _{-0.20}
AA	67	254(160L)	160	360	410	φ14.5	M40X1.5	15							
AB	320	260(160M)													
AC	φ330	305(160L)													
B															
BB															
C															
H															
HA															
HB															
HD															
K															
KK															
LA															
D															
DH															
E															
ED															
F															
G															

SHAFT EXT. IDE ONLY

WEIGHT

622(160M)	L
667(160L)	LD
268	LE
110	LL
375	M
φ300	N
φ250	P
φ350	S
4Xφ18.5	T

CUSTOMER APPROVAL _____
SIGNATURE _____
DATE _____

2L-160 2-8P (B35)		DATE	20101027	CHK	CHK
DIMENSION OUTLINE		DRAWN	ZHANG HONG	APPD	Zhang Wenbin
ISSUE	DATE	ISSUE	DATE	CERTIFIED BY	
ISSUE	DATE	ISSUE	DATE	CERTIFIED BY	
ISSUE	DATE	ISSUE	DATE	CERTIFIED BY	