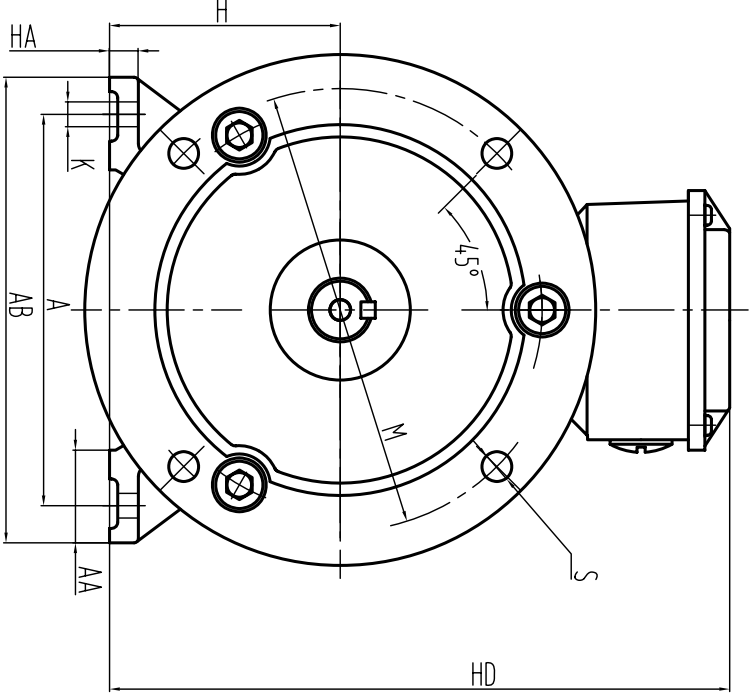
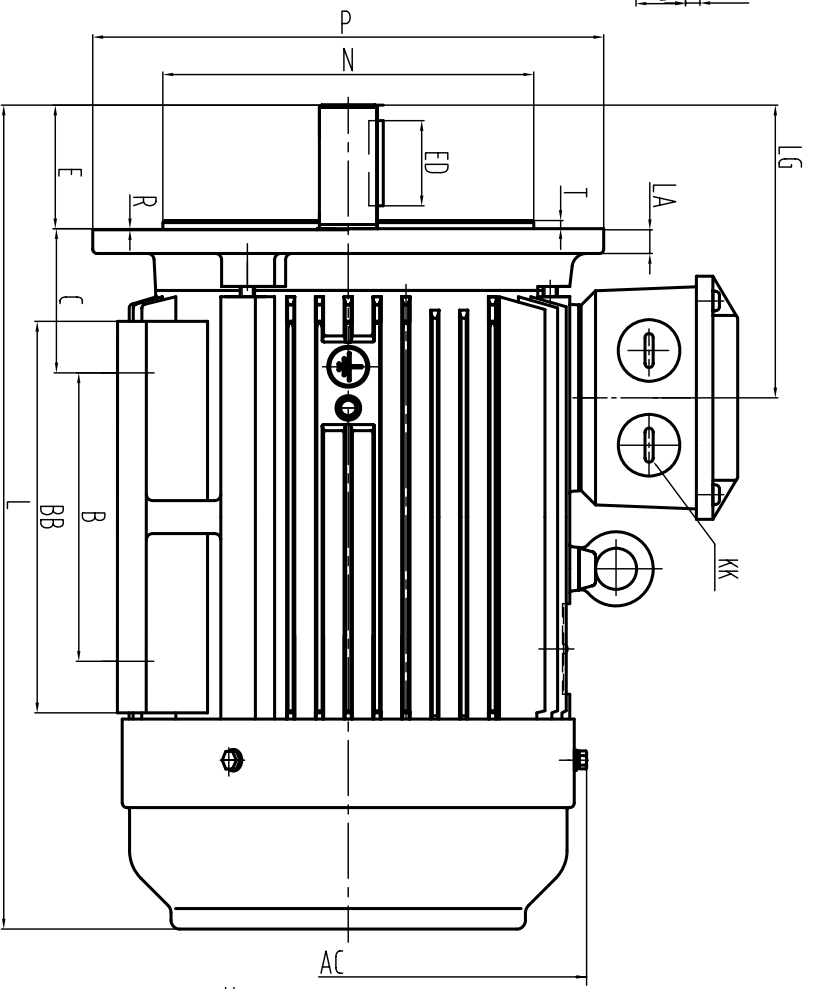
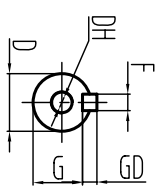


| | | | |
|---------|--|-----|--|
| CLIENT: | | | |
| FRAME | | KW | |
| VOLTS | | RPM | |



OUTLINE DIMENSIONS FOOT-FLANGE MOUNTED MOTORS

SHAFT EXT. DE ONLY

WEIGHT

| | | | | | | | | | | | | | | | | | |
|----|-----|----|-----|----|---------|----|--------|----|----|----|----|---|---|---|----|----|---|
| A | 190 | B | 140 | HA | 14 | D | 28 | E | 60 | ED | 45 | F | 8 | G | 24 | GD | 7 |
| AA | 45 | BB | 255 | HD | 300 | DH | M10X22 | ED | 45 | | | | | | | | |
| AB | 230 | C | 70 | K | 12 | E | 60 | F | 8 | | | | | | | | |
| AC | 236 | H | 112 | KK | M32X1.5 | | | | | | | | | | | | |
| | | L | 480 | LG | 144 | | | | | | | | | | | | |

| | |
|----|------|
| LA | 14 |
| M | 215 |
| N | 180 |
| P | 250 |
| R | 0 |
| S | 14.5 |
| T | 4 |

CUSTOMER APPROVAL

SIGNATURE

DATE

2L-112 2-8P (B35)
DIMENSION OUTLINE

| | | | |
|--------------|-----------|--------------|--|
| DATE | 2005.12.6 | CHK | |
| DRAWN | Liu | APPD | |
| ISSUE A DATE | | CERTIFIED BY | |
| ISSUE B DATE | | CERTIFIED BY | |
| ISSUE C DATE | | CERTIFIED BY | |
| ISSUE D DATE | | CERTIFIED BY | |