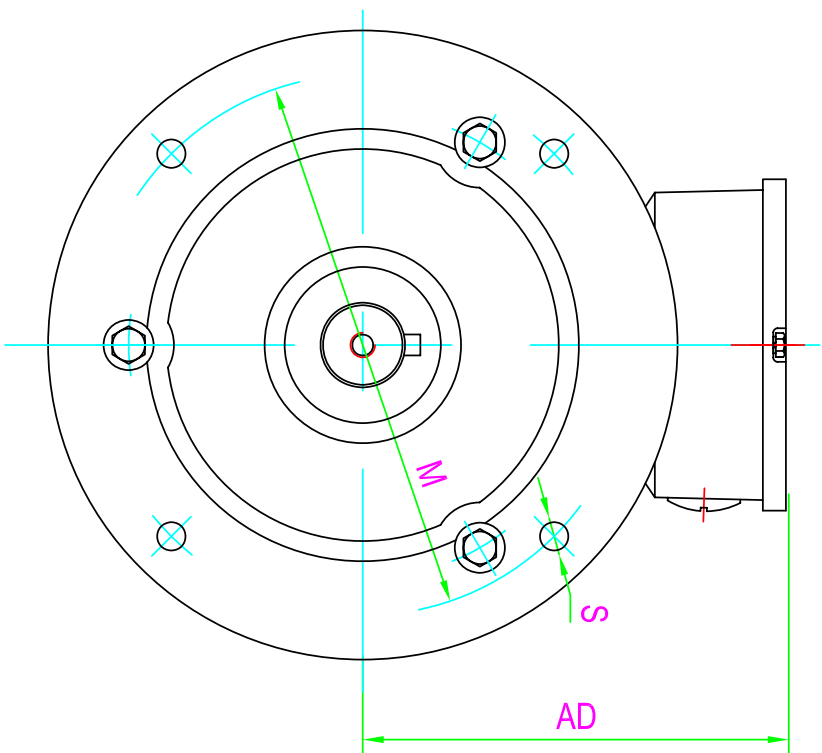
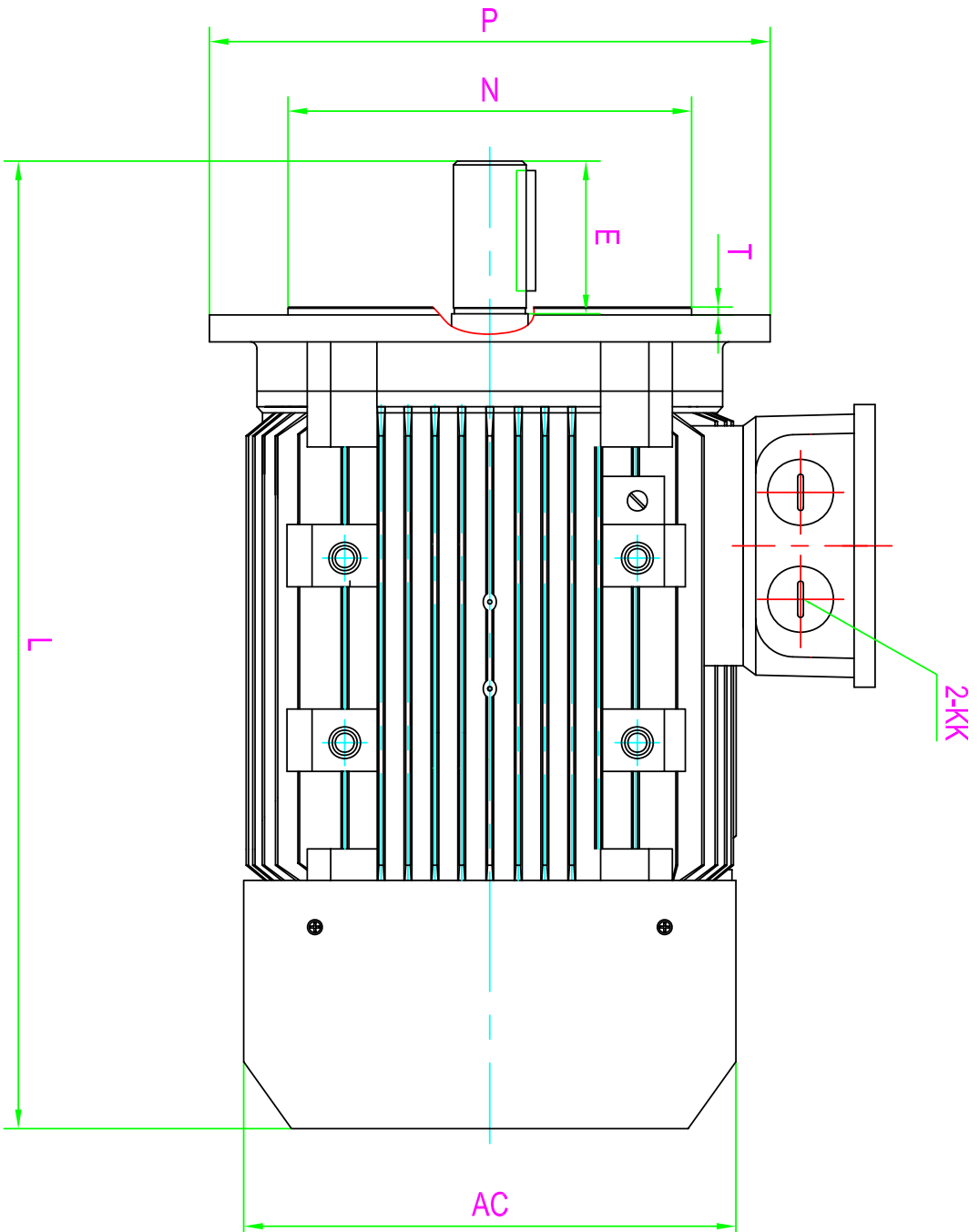


CLIENT:			
FRAME	160L	KW	
VOLTS		RPM	



OUTLINE DIMENSIONS FLANGE MOUNTED MOTORS

AC	AD	KK	L	M	N	P	S	T	D	DH	E	F	G	SHAFT EXT. DE ONLY		WEIGHT(kg)	
315	255	M40×1.5	660	300	250	350	Ø19	5	42	M16X36	110	12	37	2A160L-2	2A160L-4	2A160L-6	1A160L-8

CUSTOMER APPROVAL

SIGNATURE

DATE

2A160L B5				DATE	CHECKED BY
DIMENSION OUTLINE				DESIGNED BY	APPROVED BY
DWG #	ISSUE	DATE	ISSUE	DATE	CERTIFIED BY
	ISSUE	DATE	ISSUE	DATE	CERTIFIED BY
	ISSUE	DATE	ISSUE	DATE	CERTIFIED BY