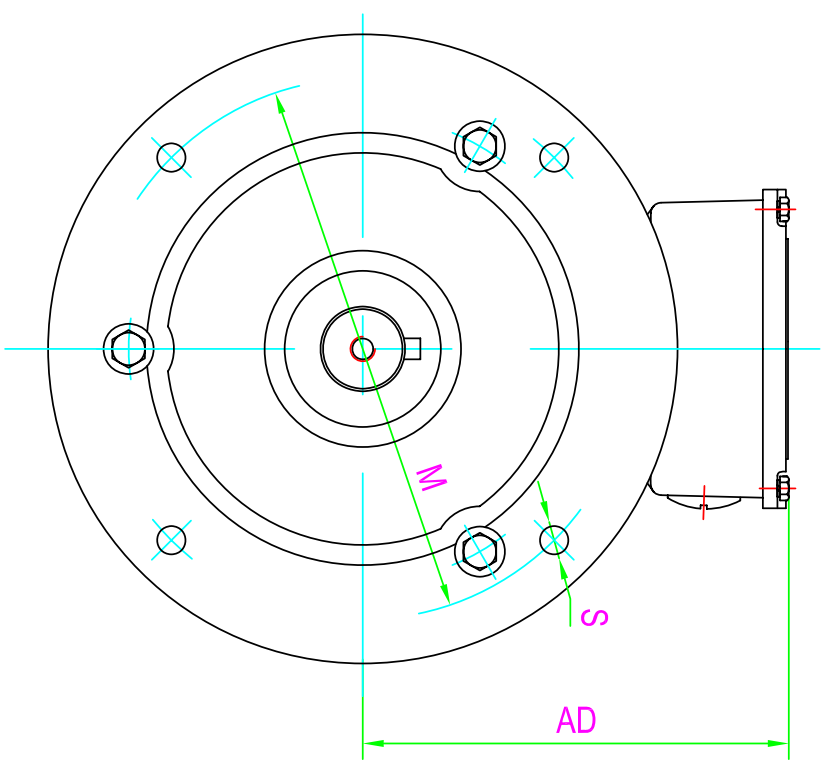
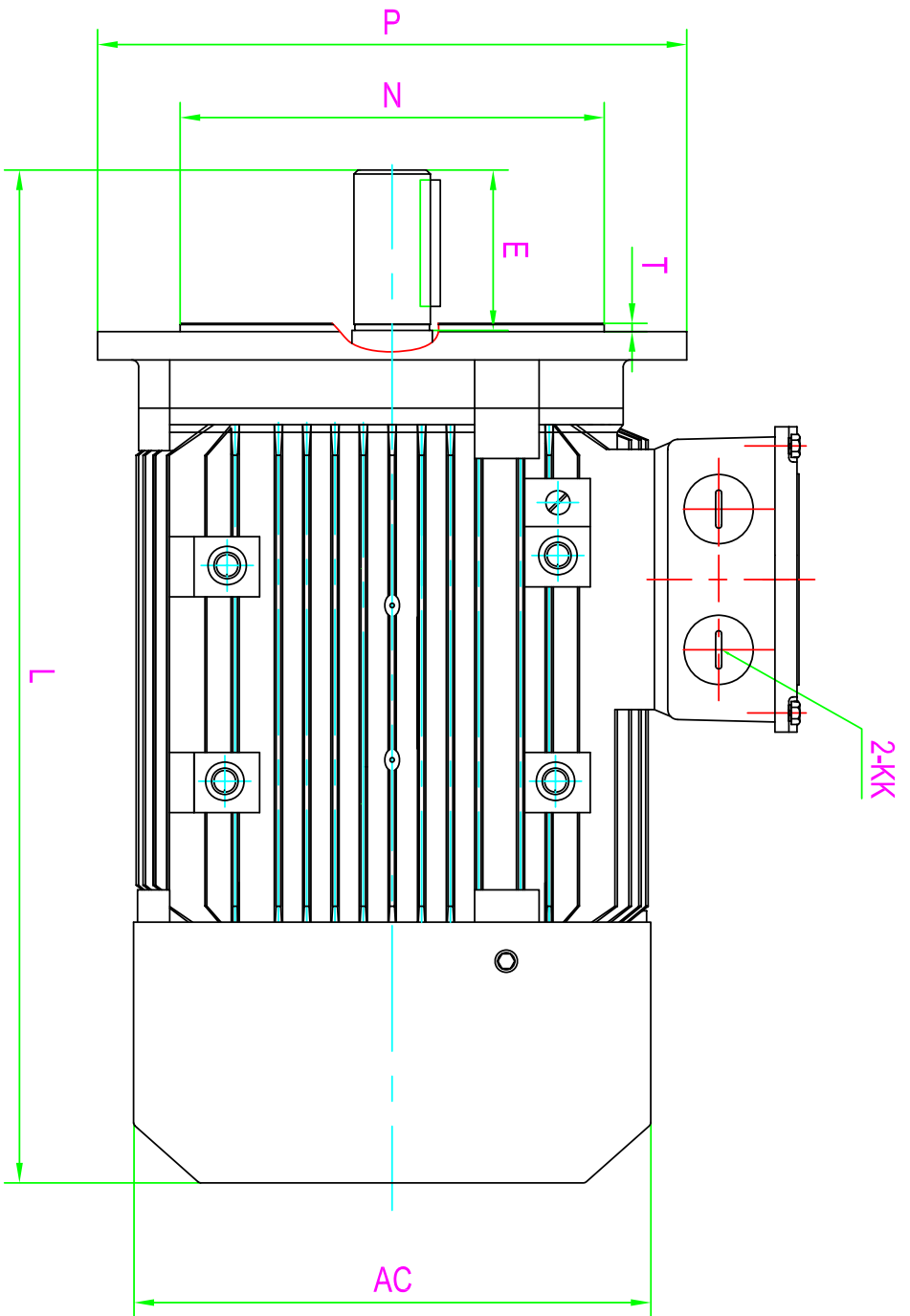
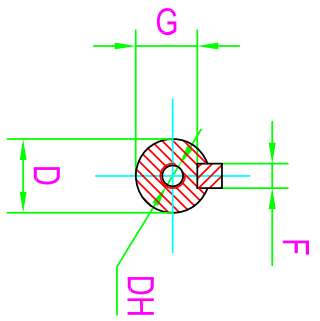


CLIENT:

FRAME	132M	KW	
VOLTS		RPM	



OUTLINE DIMENSIONS FLANGE MOUNTED MOTORS

SHAFT EXT. DE ONLY

WEIGHT(kg)

AC	AD	KK	L	M	N	P	S	T	D	DH	E	F	G	2A132M-4	2A132M1-6	2A132M2-6	1A132M-8
259	210	M32×1.5	510	265	230	300	Ø15	4	38	M12X28	80	10	33				

CUSTOMER APPROVAL

SIGNATURE

DATE

2A132M B5
DIMENSION OUTLINE

DWG #

DATE
DESIGNED BY
ISSUE

DATE
APPROVED BY
ISSUE

DATE
CHECKED BY
ISSUE

DATE
APPROVED BY
ISSUE

DATE
CHECKED BY
ISSUE

DATE
CHECKED BY
ISSUE