

CLIENT:

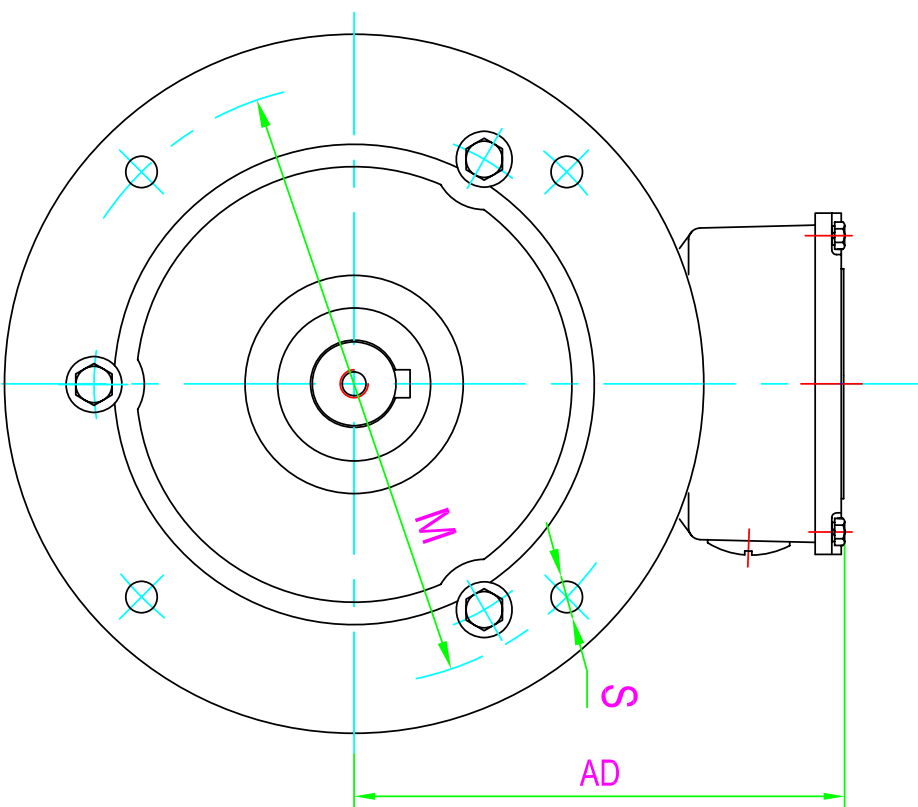
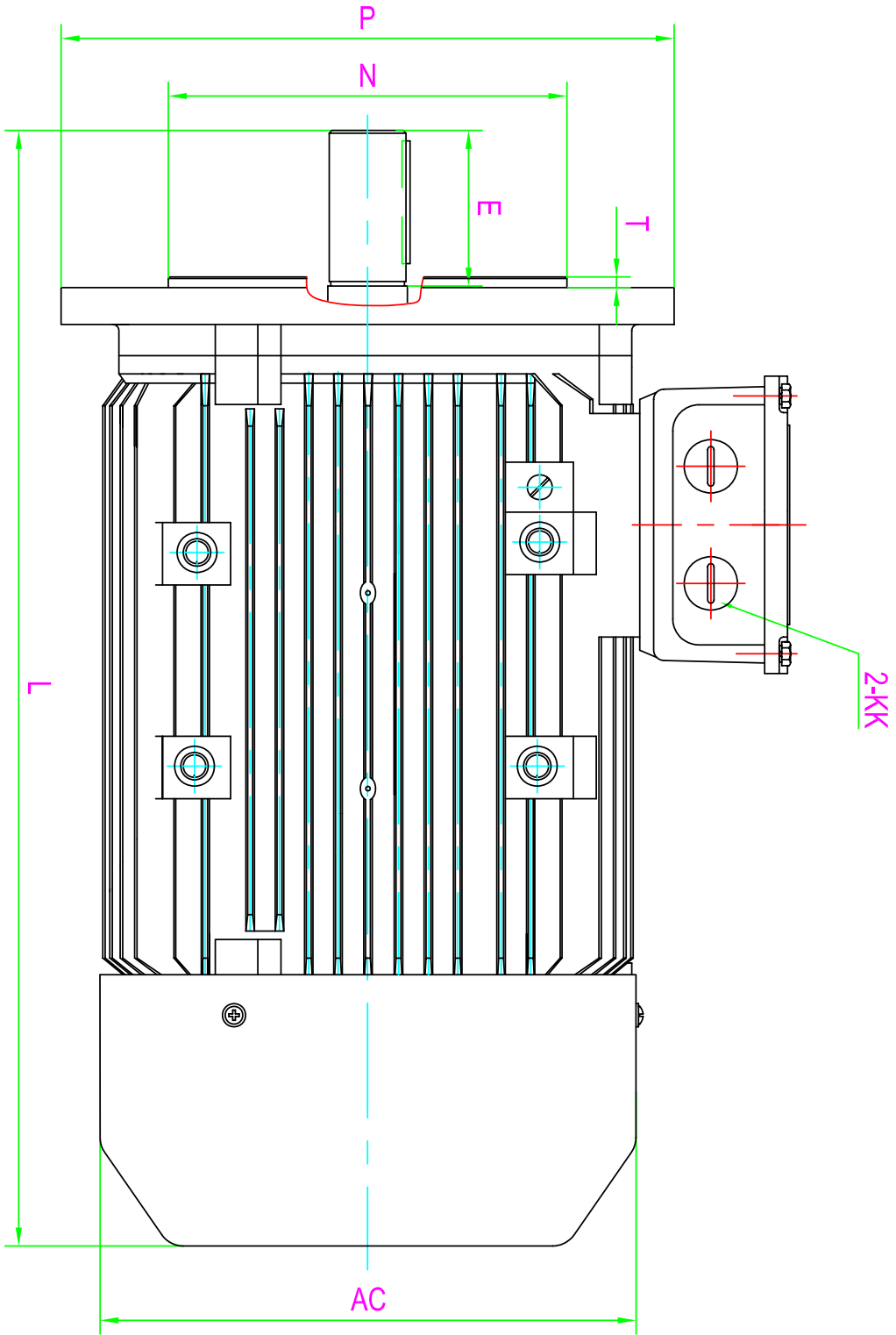
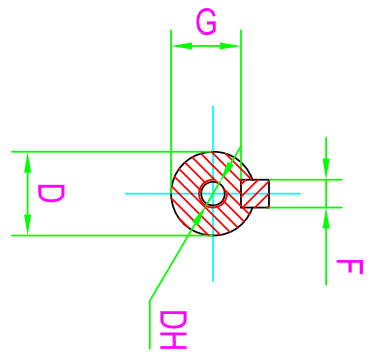
FRAME

90S

KW

VOLTS

RPM



OUTLINE DIMENSIONS FLANGE MOUNTED MOTORS

SHAFT EXT. DE ONLY

WEIGHT(kg)

AC	AD	KK	L	M	N	P	S	T	D	DH	E	F	G	2A90S-2	2A90S-4	2A90S-6	1A90S-8
177	160	M25×1.5	330	165	130	200	Ø12	3.5	24	M8×19	50	8	20				

CUSTOMER APPROVAL

SIGNATURE

DATE

2A90S B5
DIMENSION OUTLINE

DWG #

DATE	DESIGNED BY	CHECKED BY
ISSUE	ISSUE	APPROVED BY
ISSUE	ISSUE	CERTIFIED BY
ISSUE	ISSUE	CERTIFIED BY
ISSUE	ISSUE	CERTIFIED BY