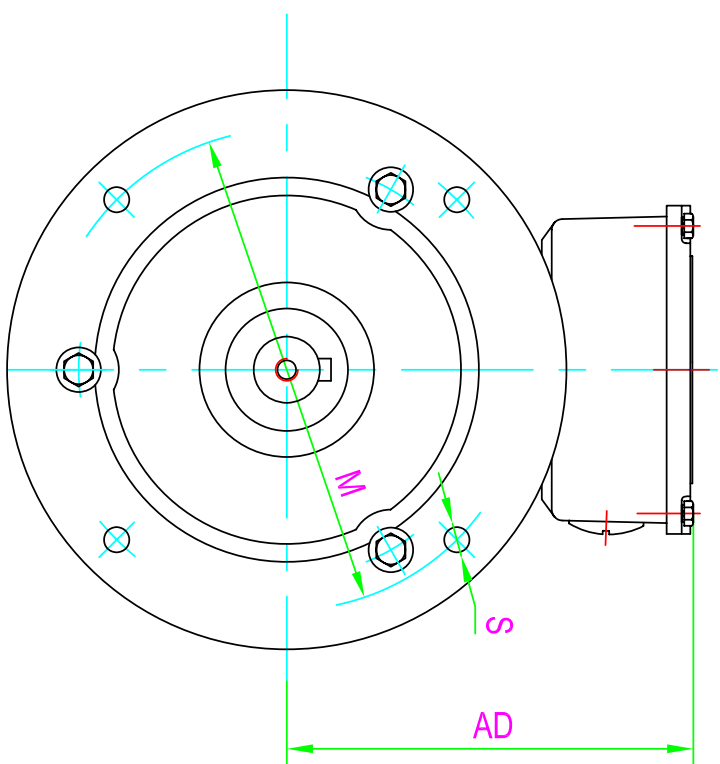
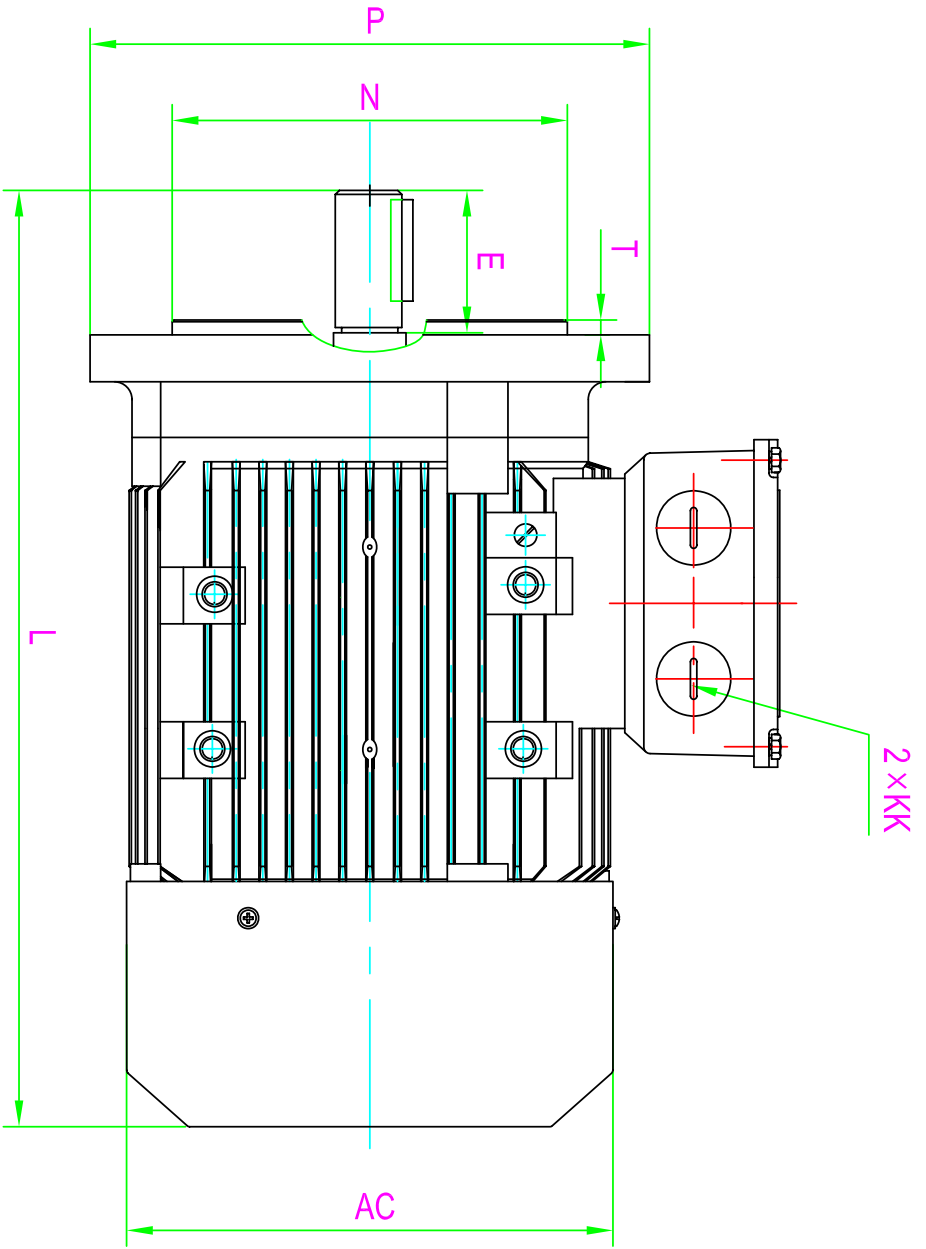
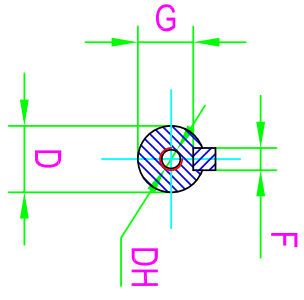


CLIENT:

|       |    |     |  |
|-------|----|-----|--|
| FRAME | 71 | KW  |  |
| VOLTS |    | RPM |  |



OUTLINE DIMENSIONS FLANGE MOUNTED MOTORS

| AC  | AD  | KK      | L   | M   | N   | P   | S   | T   | D   | DH    | E  | F | G  | WEIGHT(kg) |
|-----|-----|---------|-----|-----|-----|-----|-----|-----|-----|-------|----|---|----|------------|
| 136 | 127 | M20x1.5 | 245 | 130 | 110 | 160 | Ø12 | 3.5 | Ø14 | M5x12 | 30 | 5 | 11 | 1A71M1-2   |
|     |     |         |     |     |     |     |     |     |     |       |    |   |    | 1A71M2-2   |
|     |     |         |     |     |     |     |     |     |     |       |    |   |    | 1A71M1-4   |
|     |     |         |     |     |     |     |     |     |     |       |    |   |    | 1A71M2-4   |
|     |     |         |     |     |     |     |     |     |     |       |    |   |    | 1A71M1-6   |
|     |     |         |     |     |     |     |     |     |     |       |    |   |    | 1A71M2-6   |

SHAFT EXT. DE ONLY

WEIGHT(kg)

CUSTOMER APPROVAL

SIGNATURE

DATE

1AR71 B5  
DIMENSION OUTLINE

DWG #

| DATE        | CHECKED BY   |
|-------------|--------------|
| DESIGNED BY | APPROVED BY  |
| ISSUE       | CERTIFIED BY |
| ISSUE       | CERTIFIED BY |
| ISSUE       | CERTIFIED BY |
| ISSUE       | CERTIFIED BY |