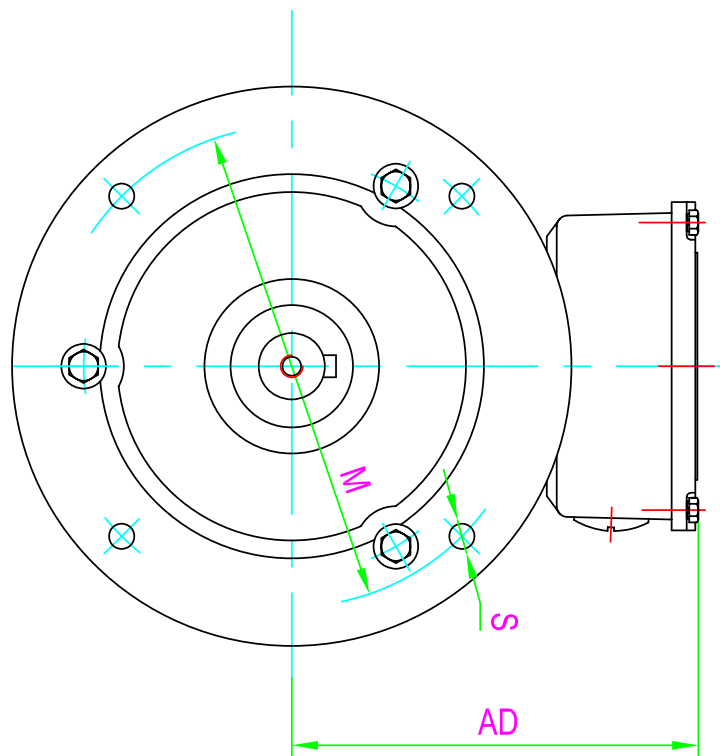
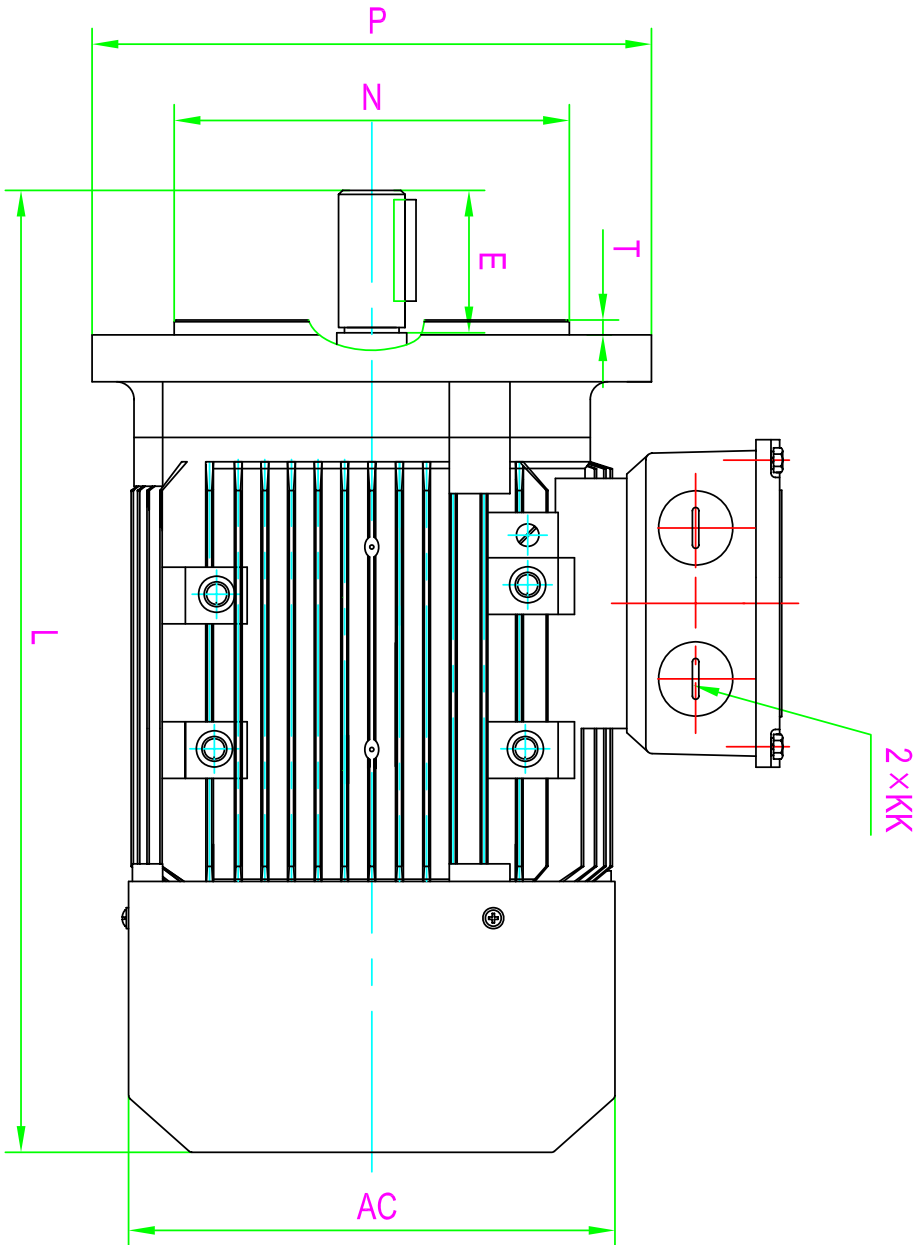
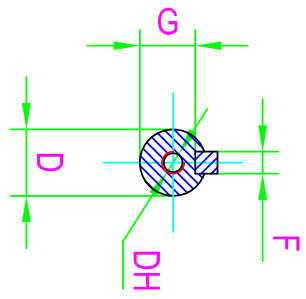


CLIENT:

FRAME	71	KW	
VOLTS		RPM	



OUTLINE DIMENSIONS FLANGE MOUNTED MOTORS

AC	AD	KK	L	M	N	P	S	T	D	DH	E	F	G	WEIGHT(kg)
120	109	M20x1.5	217	115	95	140	Ø10	3	Ø11	M4x12	23	4	8.5	1A63M1-2
														1A63M2-2
														1A63M1-4
														1A63M2-4

CUSTOMER APPROVAL

SIGNATURE

DATE

1A63 B5
DIMENSION OUTLINE

DWG #

DATE	CHECKED BY
DESIGNED BY	APPROVED BY
ISSUE	CERTIFIED BY
ISSUE	CERTIFIED BY
ISSUE	CERTIFIED BY
ISSUE	CERTIFIED BY