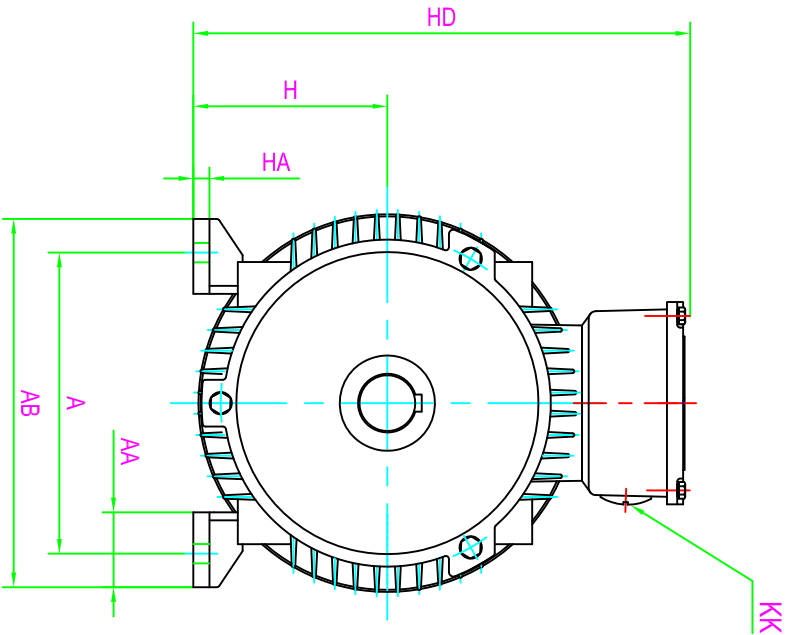
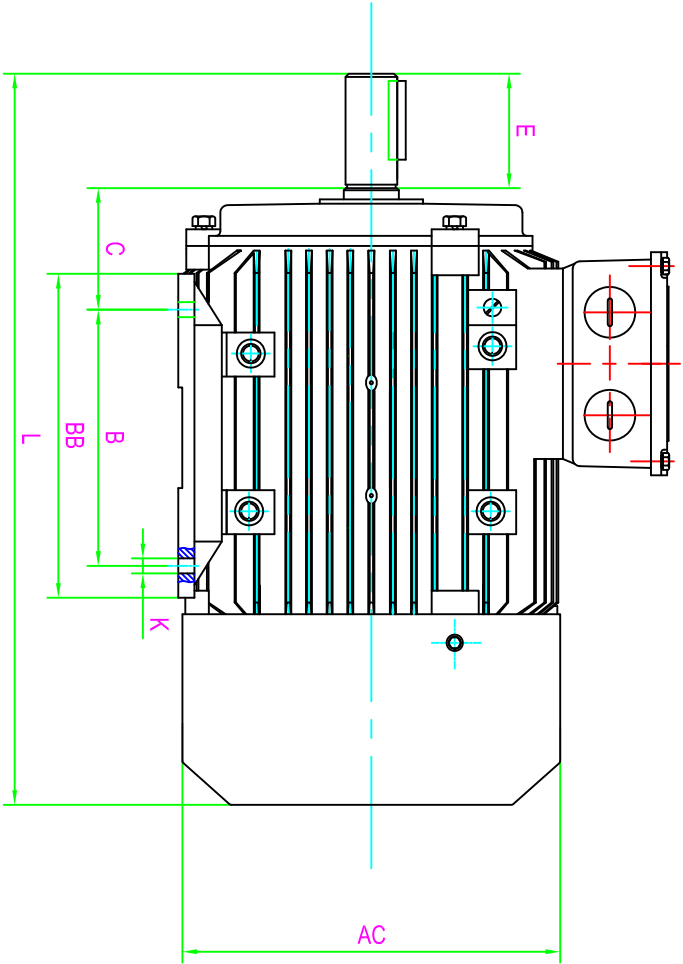


CLIENT:			
FRAME	132S	KW	
VOLTS		RPM	



FOOT-OR-FLANGE-MOUNTING

A	AA	AB	AC	B	BB	C	H	HA	HD	K	KK	L	D	DH	E	F	G	2A132S1-2	2A132S2-2	2A132S-4	2A132S-6	2A132S-8
216	51	270	259	140	186	89	132	15	342	12	2-M32X1.5	470	38	M12X28	80	10	33					

SHAFT EXT. DE ONLY

WEIGHT(kg)

CUSTOMER APPROVAL

SIGNATURE _____

DATE _____

2A132S B3

DIMENSION OUTLINE

DATE		CHECKED BY	
DESIGNED BY		APPROVED BY	
ISSUE	DATE	CERTIFIED BY	DATE
ISSUE	DATE	CERTIFIED BY	DATE
ISSUE	DATE	CERTIFIED BY	DATE
ISSUE	DATE	CERTIFIED BY	DATE
DWG #		CERTIFIED BY	