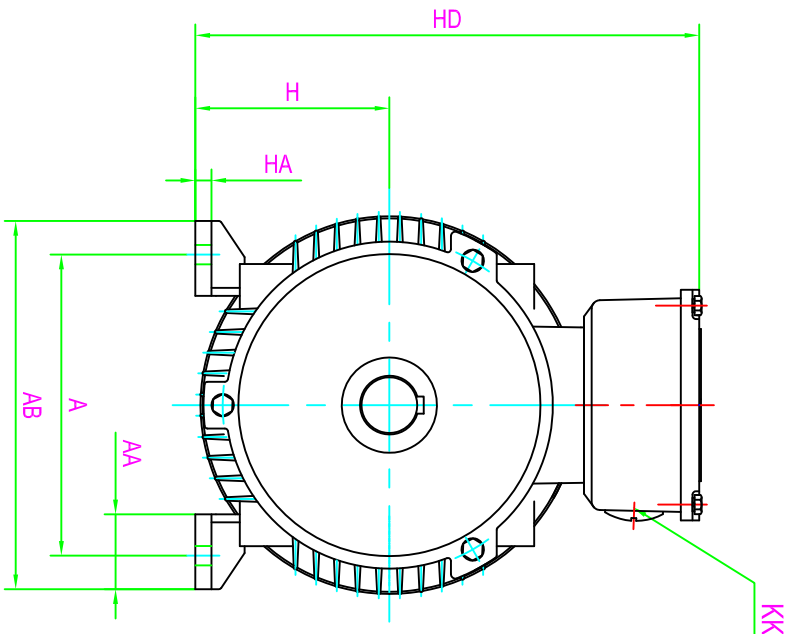
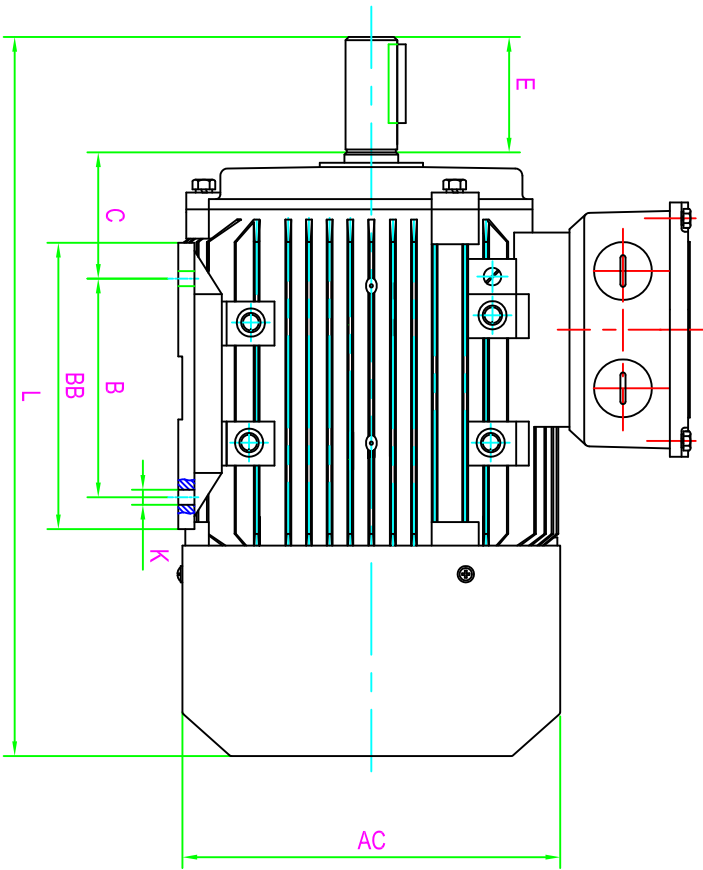


CLIENT:

FRAME	63	KW	
VOLTS		RPM	



FOOT-OR-FLANGE-MOUNTING

A	AA	AB	AC	B	BB	C	H	HA	HD	K	KK	L
100	24	135	120	80	100	40	63	7	172	7	2-M20X1.5	217

SHAFT EXT. DE ONLY

D	DH	E	F	G	1A63M1-2	1A63M2-2	1A63M1-4	1A63M2-4
11	M4X12	23	4	8.5				

WEIGHT(kg)

--	--	--	--	--	--	--	--	--

CUSTOMER APPROVAL

SIGNATURE \_\_\_\_\_ DATE \_\_\_\_\_

1A63 B3

DIMENSION OUTLINE

DWG #

DATE	CHECKED BY	DATE	CERTIFIED BY
DESIGNED BY	APPROVED BY	DATE	CERTIFIED BY
ISSUE		DATE	CERTIFIED BY
ISSUE		DATE	CERTIFIED BY
ISSUE		DATE	CERTIFIED BY